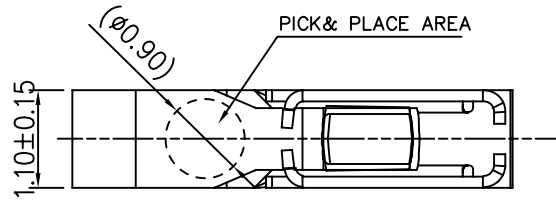


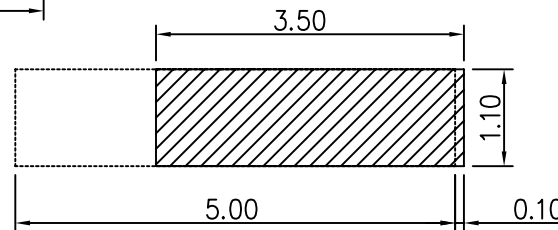
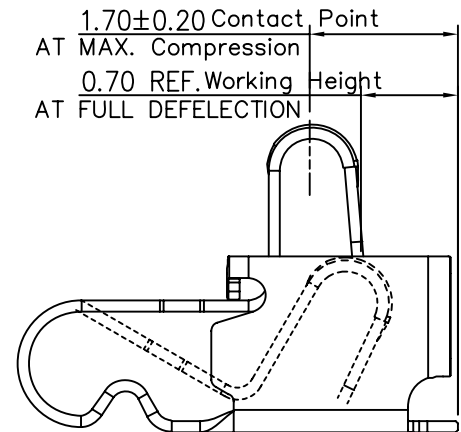
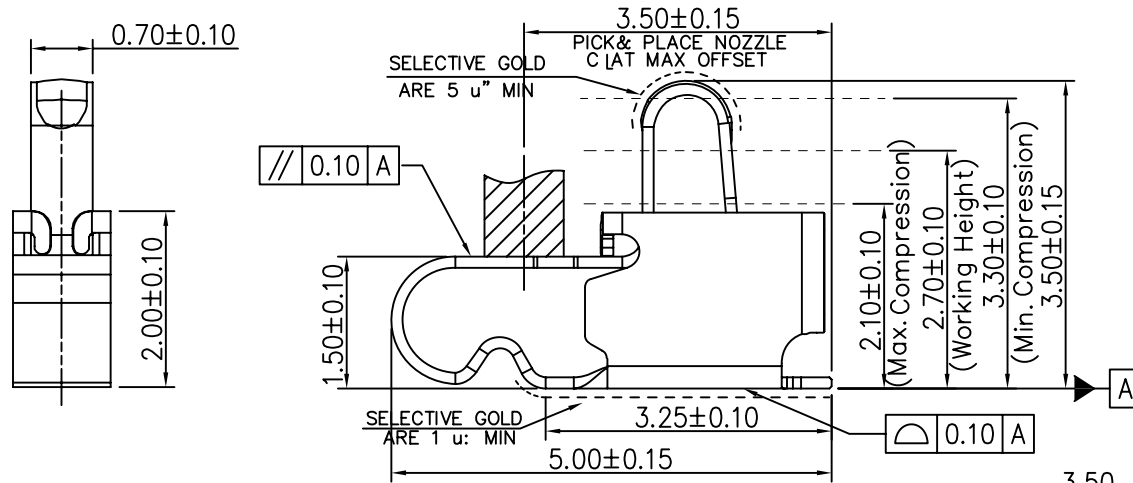
RoHS

REV.	LOCAS.	DESCRIPTION	DRAW.	DATE.
01	NEW	INITIAL RELEASE.	Junly	2008.10.18
02		ECN20120018	Junly	2012.04.21

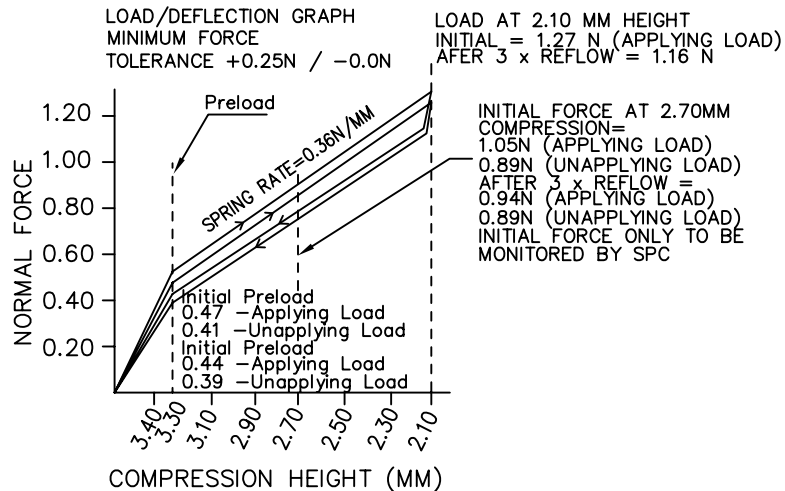


NOTES:

- 1.MATERIAL:
 - 1.1 Copper Alloy
- 2.SPECIALITY:
 - 2.1 Contact Resistance: 30mΩ Max
 - 2.2 Operating Temperature: -20°C~+65°C
 - 2.3 Max. Beam Deflection: 1.5mm. On Contact POINT
3. RF PERFORMANCE:
 - 3.1 Impedance: 50 ohm.
 - 3.2 Insertion Loss: 0.6dBMax.(DC~3GHz)
 - 3.3 VSWR: 1.5MAX.(DC~3GHz)



RECOMMENDED PCB LAYOUT
TOLERANCE: ±0.05



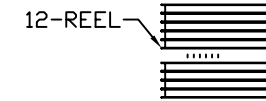
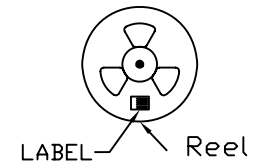
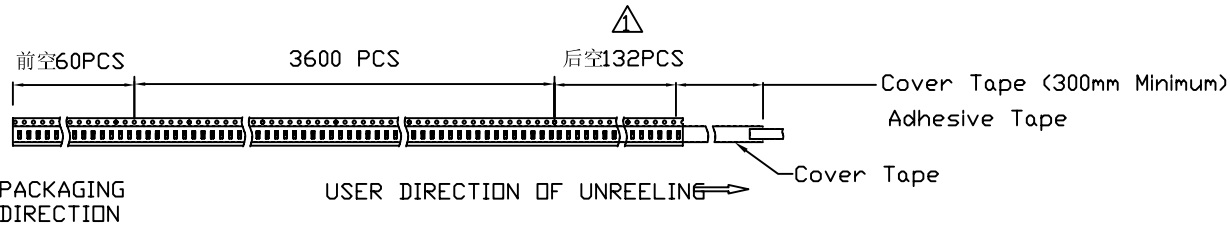
MEASURE POINT:
QUADRANT POINT (QP)
TANGENCY POINT (TP)
INTERSECTION POINT (IP)



UNLESS OTHERWISE SPECIFIED, TOLERANCE:
X. ±0.25
X.x ±0.20
X.xx ±0.15
ANGULAR ±3°

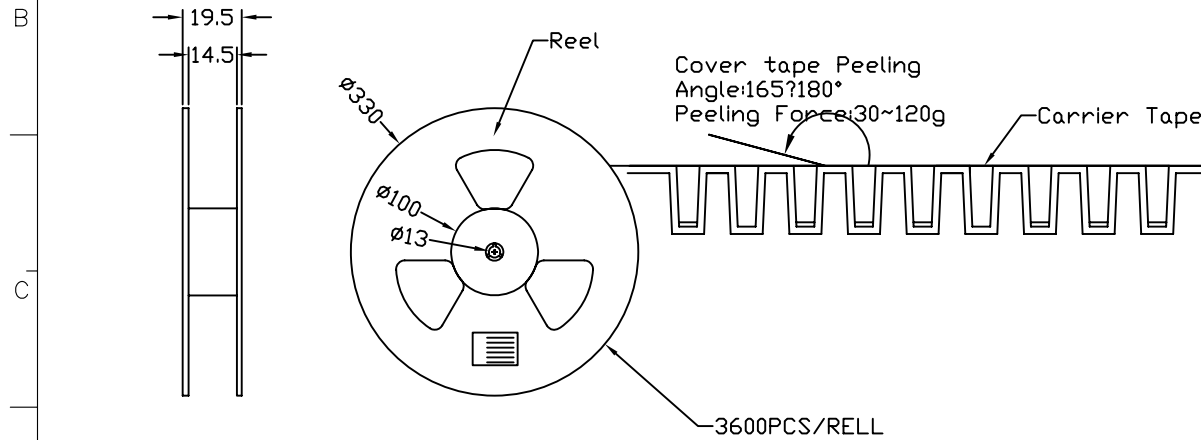
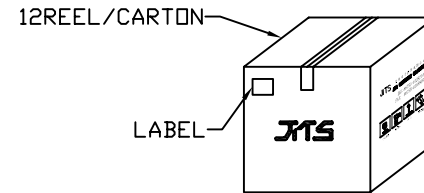
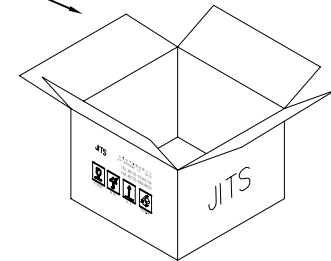
DESING	Jeff	DATE	2012.04.21	TITLE:	ANTENNA RF SPRING SMT TYPE H: 3.50mm L: 5.00*1.10*3.50mm		
CHECKED	Junly	DATE	2012.04.21	REV:	02	SCALE:	16:1
APPROVED	Junly	DATE	2012.04.21	UNIT:	mm	SHEET:	1/2
PART NO:	P-JS-IT-35			SIZE:	A4		
DRAWING NO:	P-JS-IT-35						

RoHS

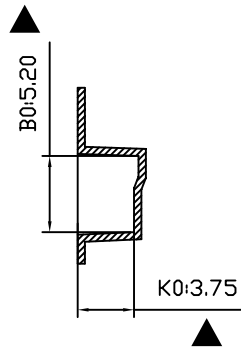
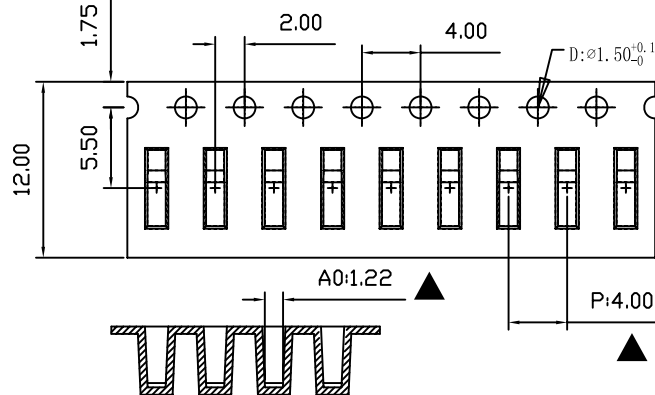


4-TRIANGLE PARTITION
235*380*5 K3K

CARTON
342*342*250 K=K



PACKAGING DIRECTION USER DIRECTION OF UNREELING



MEASURE POINT:
QUADRANT POINT (QP)
TANGENCY POINT (TP)
INTERSECTION POINT (IP)

UNLESS OTHERWISE SPECIFIED, TOLERANCE:
X. ±0.25
X.x ±0.20
X.xx ±0.15
ANGULAR ±3°

JTS JTS TECHNOLOGY CO., LIMITED

DESING	Jeff	DATE	2012.04.21	TITLE:	ANTENNA RF SPRING SMT TYPE H: 3.50mm L: 5.00*1.10*3.50mm				
CHECKED	Junly	DATE	2012.04.21						
APPROVED	Junly	DATE	2012.04.21						
PART NO:	P-JS-IT-35			REV:	02	SCALE:	16:1	UNIT:	mm
DRAWING NO:	P-JS-IT-35			SIZE:	A4	SHEET:	2/2		