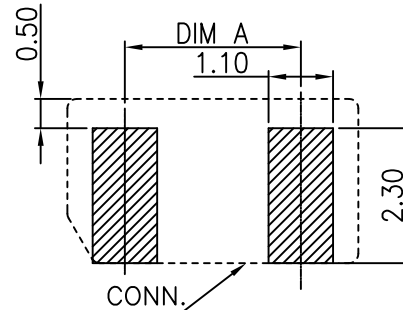
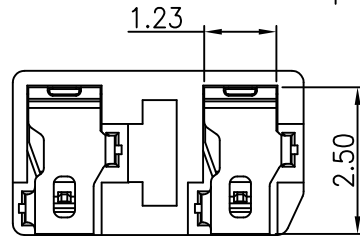
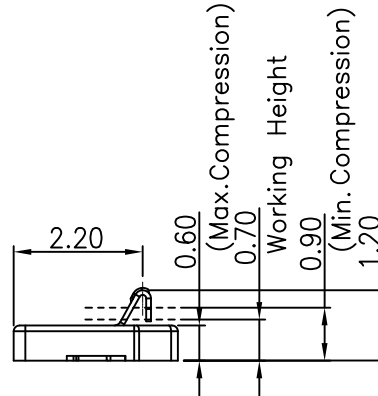
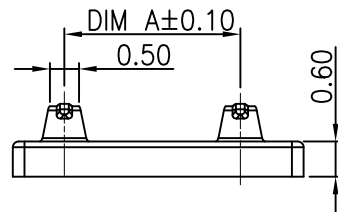
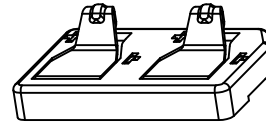
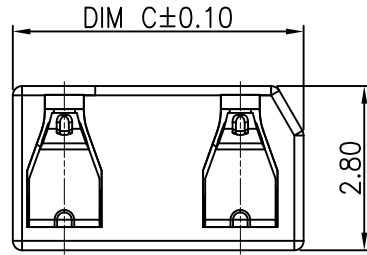


RoHS

REV.	LOCAS.	DESCRIPTION	DRAW.	DATE.
01	NEW	INITIAL RELEASE.	Andy	2014.10.20



NOTES:

1.MATERIAL:

1.1 Housing:High Temperature Thermoplastic UL94V-0; Color Black.

1.2 Terminal:Copper Alloy.

2.SPECIALITY:

2.1 Rated current:1.0A

2.2 Rated voltage:30V

2.3 Contact Resistance:30mΩ Max

2.4 Operating Temperature:-20°C~+65°C

2.5 Max. Beam Deflection:0.60mm.On Contact POINT

3. RF PERFORMANCE:

3.1 Impedance:50 ohm.

3.2 Insertion Loss: 0.6dBMax.(DC~3GHz)

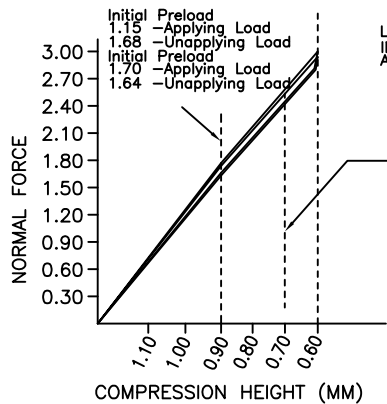
3.3 VSWR: 1.5MAX.(DC~3GHz)

P/N:	DIM A	DIM C
BA120-S2204A	2.00	4.00
BA120-S2304A	3.00	5.00

RECOMMENDED PCB LAYOUT

TOLERANCE:±0.05

LOAD/DEFLECTION GRAPH
MINIMUM FORCE
TOLERANCE +0.25N / -0.0N



LOAD AT 0.60 MM HEIGHT
INITIAL = 1.95 N (APPLYING LOAD)
AFER 3 x REFLOW = 1.88 N

INITIAL FORCE AT 0.70MM
COMPRESSION=
1.69N (APPLYING LOAD)
1.53N (UNAPPLYING LOAD)
AFTER 3 x REFLOW =
1.62N (APPLYING LOAD)
1.46N (UNAPPLYING LOAD)
INITIAL FORCE ONLY TO BE
MONITORED BY SPC

MEASURE POINT:
QUADRANT POINT (QP)
TANGENCY POINT (TP)
INTERSECTION POINT (IP)



UNLESS OTHERWISE SPECIFIED, TOLERANCE:
X. ±0.25
X.x ±0.20
X.xx ±0.15
ANGULAR ±3°

DESING	Andy	DATE	2014.10.15	TITLE:	ANTENNA RF SPRING 2PIN H:1.20mm WITHOUT POST
CHECKED	Nick	DATE	2014.10.15	REV: 01	
APPROVED	Liufei	DATE	2014.10.15	SCALE: 16:1	
PART NO: SEE TABLE				UNIT: mm	
DRAWING NO: BA120-S2204A				SIZE: A4	SHEET: 1/1