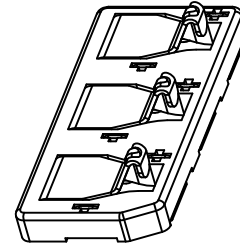
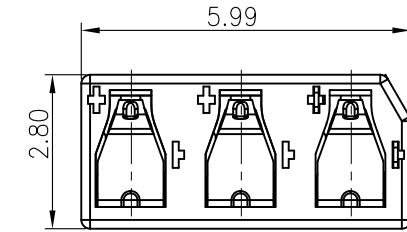
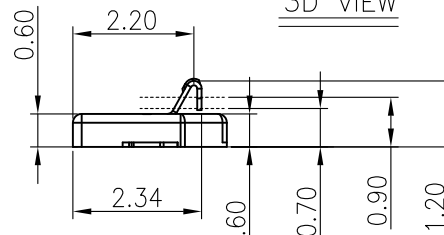
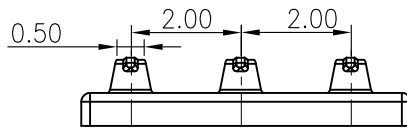


RoHS

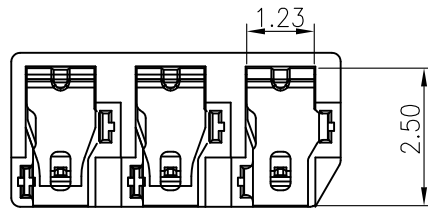
REV.	LOCAS.	DESCRIPTION	DRAW.	DATE.
01	NEW	INITIAL RELEASE.	Andy	2014.11.20
02	MODIFY	UPDATE THE DRAWING FRAME	Alan	2016.03.08



3D VIEW



(Max.Compression) 0.60
Working Height 0.70
(Min. Compression) 0.90
1.20



NOTES:

1.MATERIAL:

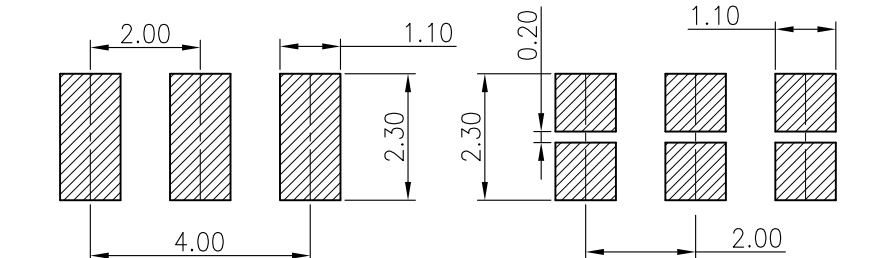
- 1.1 Housing:High Temperature Thermoplastic UL94V-0; Color Black.
- 1.2 Terminal:Copper Alloy.

2.SPECIALITY:

- 2.1 Rated current:1.0A
- 2.2 Rated voltage:30V
- 2.3 Contact Resistance:30mΩ Max
- 2.4 Operating Temperature:-20°C~+65°C
- 2.5 Max. Beam Deflection:0.70mm.On Contact POINT

3. RF PERFORMANCE:

- 3.1 Impedance:50 ohm.
- 3.2 Insertion Loss: 0.6dBMax.(DC~3GHz)
- 3.3 VSWR: 1.5MAX.(DC~3GHz)



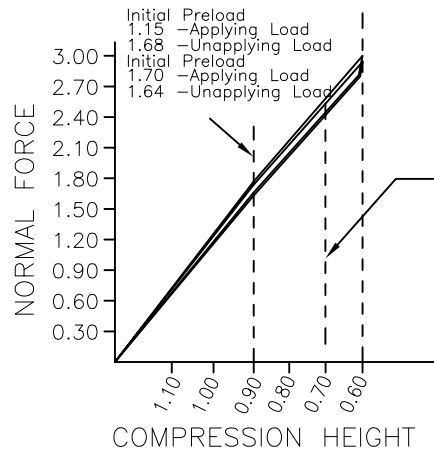
RECOMMENDED PCB LAYOUT

RECOMMENDED METAL MASK

TOLERANCE:±0.05

THICKNESS 0.10mm

LOAD/DEFLECTION GRAPH
MINIMUM FORCE
TOLERANCE +0.25N / -0.0N



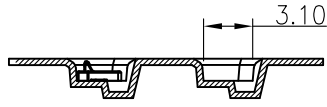
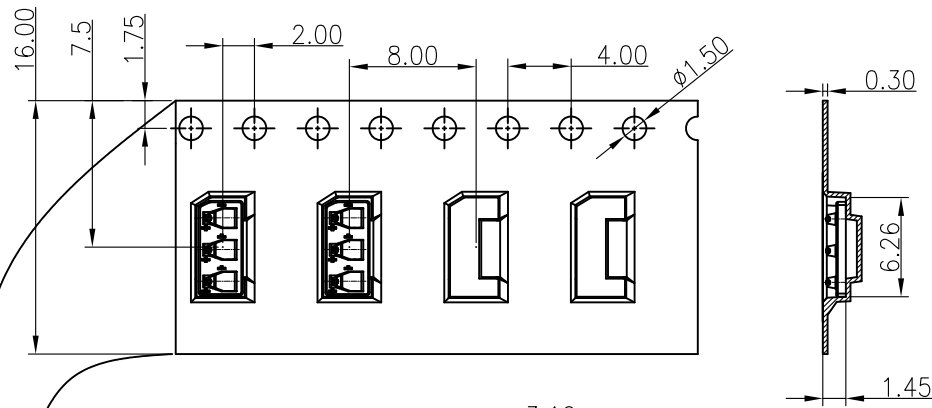
LOAD AT 0.60 MM HEIGHT
INITIAL = 1.95 N (APPLYING LOAD)
AFER 3 x REFLOW = 1.88N

INITIAL FORCE AT 0.70MM
COMPRESSION=
1.69N (APPLYING LOAD)
1.53N (UNAPPLYING LOAD)
AFTER 3 x REFLOW =
1.62N (APPLYING LOAD)
1.46N (UNAPPLYING LOAD)
INITIAL FORCE ONLY TO BE
MONITORED BY SPC

MEASURE POINT: QUADRANT POINT (QP) TANGENCY POINT (TP) INTERSECTION POINT (IP)			DESING Alan DATE 2016.03.08	TITLE:	
UNLESS OTHERWISE SPECIFIED,TOLERANCE: X. ±0.25 X.x ±0.20 X.xx ±0.15 ANGULAR ±3'			CHECKED Nick.F.H DATE 2016.03.08	ANTENNA RF SPRING SMT TYPE	
			APPROVED HaiYong.Luo DATE 2016.03.08	W:2.8 H:1.2mm 3P PITCH=2 W:2.8	
	PART NO: BA120-S3203A	REV: 02	SCALE: 1:1	UNIT: mm	
	DRAWING NO: BA120-S3203A	SIZE: A4	SHEET: 1/2		

RoHS

User Direction of Unreeling

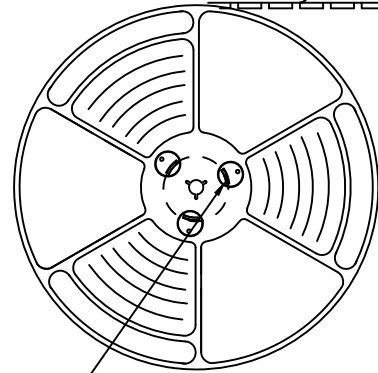


COVER TAPE PEELING ANGLE: 165°~180°
PEELING FORCE: 20~130g

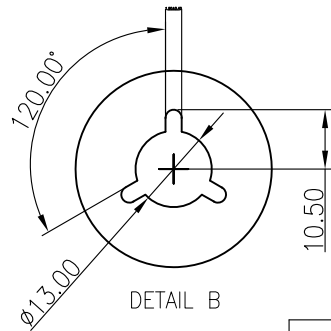
CARRIER TAPE

User Direction of Unreeling

10-REEL



DETAIL B

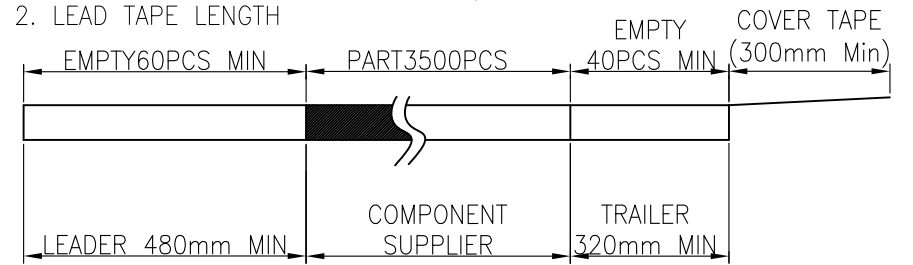


DETAIL B

NOTES

1. NUMBER OF CONNECTORS: 3500PCS/REEL

2. LEAD TAPE LENGTH



3. QUANTITY: 35000PCS/CARTON

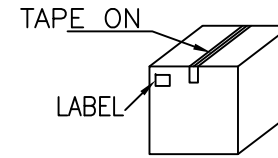
4. WEIGHT :

3.1 NET WEIGHT : 1.72Kg

3.2 GROSS WEIGHT : 3.45Kg

4-TRIANGLE PARTITION
380*235*5 K3K

CARTON
342*342*250 K=K



MEASURE POINT:
QUADRANT POINT (QP)
TANGENCY POINT (TP)
INTERSECTION POINT (IP)

JTS JITS TECHNOLOGY CO., LIMITED

UNLESS OTHERWISE SPECIFIED, TOLERANCE:
X. ±0.25
X.X ±0.20
X.XX ±0.15
ANGULAR ±3°

DESIGN	Alan	DATE	2016.03.08	TITLE:	ANTENNA RF SPRING SMT TYPE		
CHECKED	Nick.F.H	DATE	2016.03.08		W:2.8 H:1.2mm 3P PITCH=2 W:2.8		
APPROVED	HaiYong.Luo	DATE	2016.03.08				
PART NO:	BA120-S3203A			REV:	02	SCALE:	1:1
DRAWING NO:	BA120-S3203A			UNIT:	mm		
		SIZE:	A4	SHEET:	2/2		