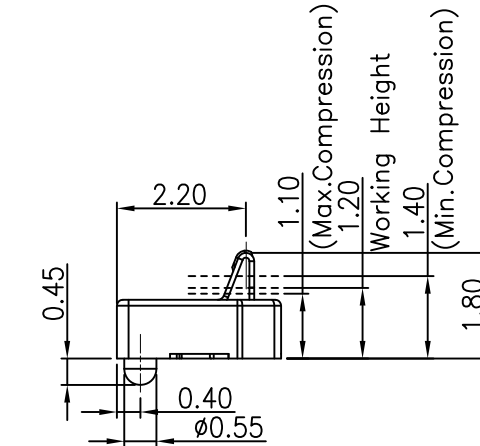
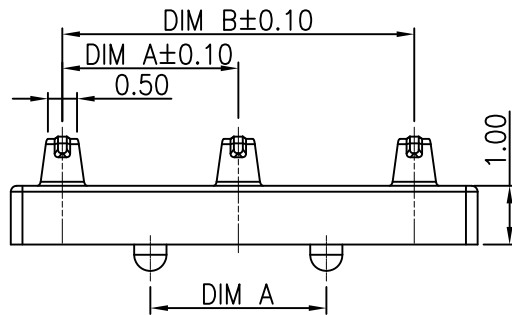
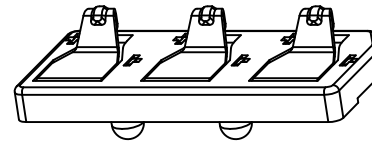
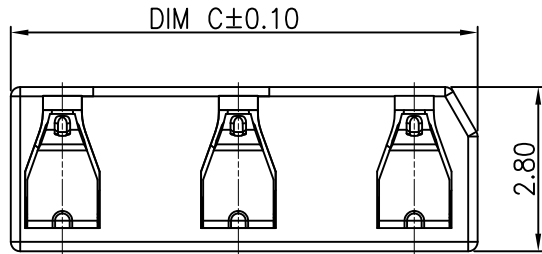


RoHS

REV.	LOCAS.	DESCRIPTION	DRAW.	DATE.
01	NEW	INITIAL RELEASE.	Junly	2013.05.02



NOTES:

1.MATERIAL:

1.1 Housing:High Temperature Thermoplastic
UL94V-0; Color Black.

1.2 Terminal:Copper Alloy.

2.SPECIALITY:

2.1 Rated current:1.0A

2.2 Rated voltage:30V

2.3 Contact Resistance:30mΩ Max

2.4 Operating Temperature:-20°C~+65°C

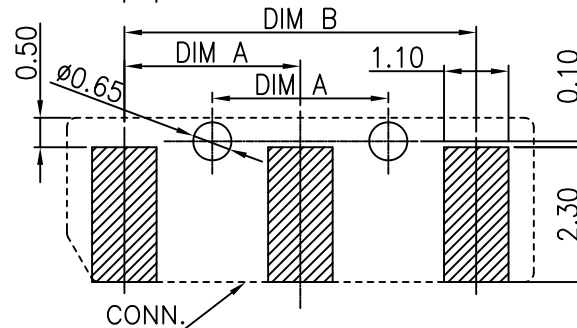
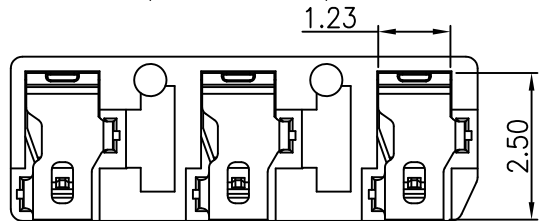
2.5 Max. Beam Deflection:0.70mm.On Contact POINT

3. RF PERFORMANCE:

3.1 Impedance:50 ohm.

3.2 Insertion Loss: 0.6dBMax.(DC~3GHz)

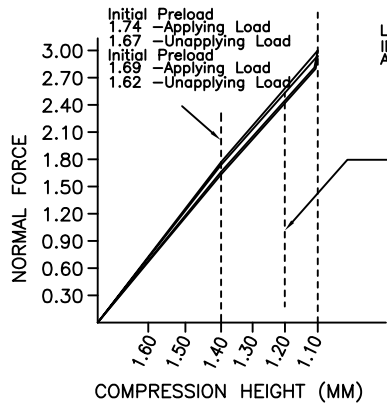
3.3 VSWR: 1.5MAX.(DC~3GHz)



RECOMMENDED PCB LAYOUT

TOLERANCE:±0.05

LOAD/DEFLECTION GRAPH
MINIMUM FORCE
TOLERANCE +0.25N / -0.0N



LOAD AT 1.10 MM HEIGHT
INITIAL = 2.94 N (APPLYING LOAD)
AFER 3 x REFLOW = 2.86 N

INITIAL FORCE AT 1.20MM
COMPRESSION=
2.54N (APPLYING LOAD)
2.49N (UNAPPLYING LOAD)
AFTER 3 x REFLOW =
2.52N (APPLYING LOAD)
2.46N (UNAPPLYING LOAD)
INITIAL FORCE ONLY TO BE
MONITORED BY SPC

P/N:	DIM A	DIM B	DIM C
BA180-S3203B	2.00	4.00	6.00
BA180-S3303B	3.00	6.00	8.00

MEASURE POINT:
QUADRANT POINT (QP)
TANGENCY POINT (TP)
INTERSECTION POINT (IP)

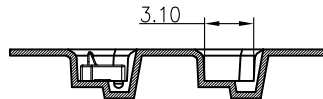
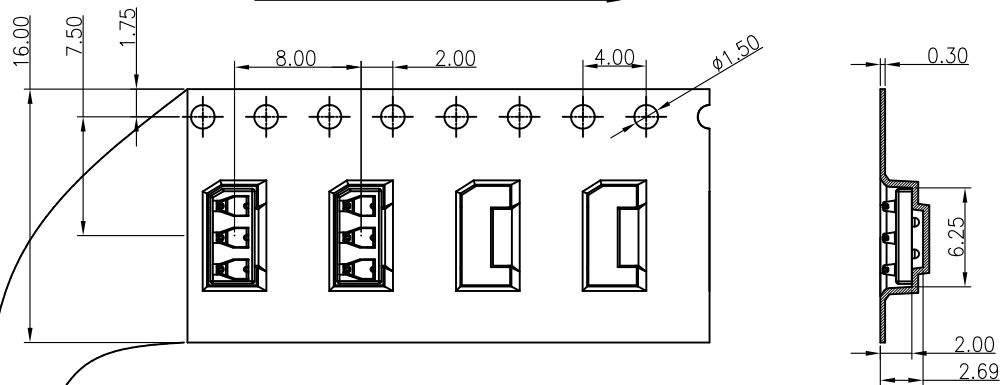


UNLESS OTHERWISE
SPECIFIED, TOLERANCE:
X. ±0.25
X.x ±0.20
X.xx ±0.15
ANGULAR ±3°

DESING	Junly	DATE	2013.05.02	TITLE:	ANTENNA RF SPRING 3PIN H:1.80mm B TYPE WITH POST
CHECKED	Nick	DATE	2013.05.02	REV: 01	
APPROVED	Haiyong	DATE	2013.05.02	SCALE: 16:1	
PART NO: BA180-S3203B				UNIT: mm	
DRAWING NO: BA180-S3203B				SIZE: A4	SHEET: 1/1

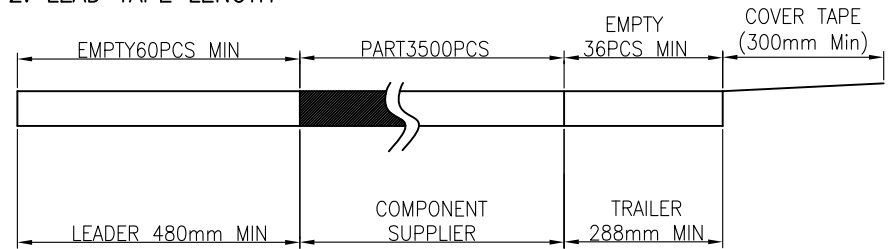
RoHS

User Direction of Unreeling →



NOTES

1. NUMBER OF CONNECTORS: 3500PCS/REEL
2. LEAD TAPE LENGTH



3. QUANTITY: 35000PCS/CARTON
4. WEIGHT :
 - 3.1 NET WEIGHT : 1.72Kg
 - 3.2 GROSS WEIGHT : 3.45Kg

COVER TAPE PEELING ANGLE: 165°~180°
PEELING FORCE: 20~130g

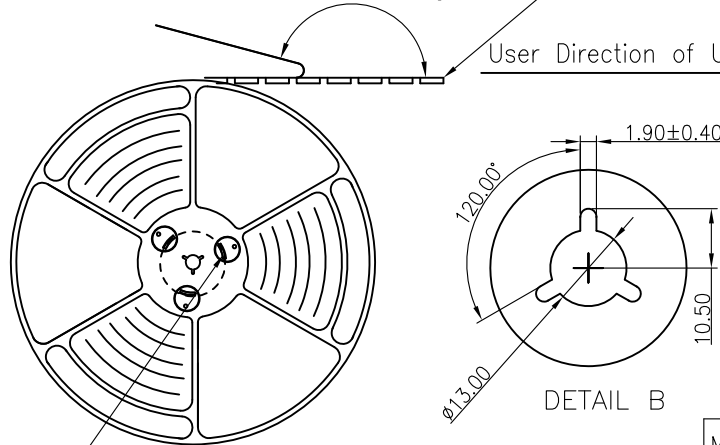
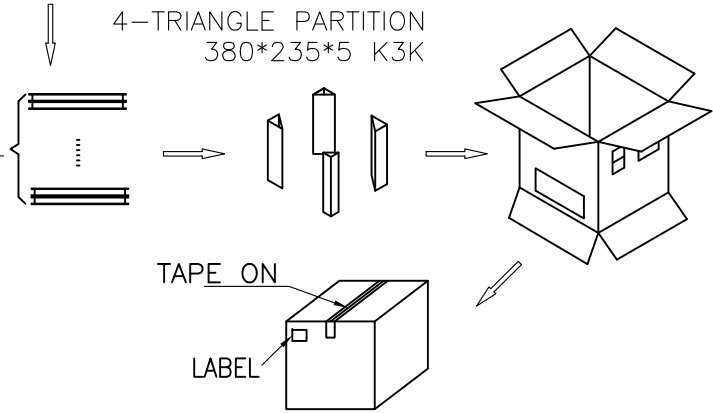
CARRIER TAPE

User Direction of Unreeling →

10-REEL

4-TRIANGLE PARTITION
380*235*5 K3K

CARTON
342*342*250 K=K



DETAIL B

MEASURE POINT:
 QUADRANT POINT (QP)
 TANGENCY POINT (TP)
 INTERSECTION POINT (IP)

UNLESS OTHERWISE SPECIFIED, TOLERANCE:
 X. ±0.25
 X.x ±0.20
 X.xx ±0.15
 ANGULAR ±3°

JITS JITS TECHNOLOGY CO., LIMITED

DESIGN	DATE	TITLE:		
CHECKED	DATE	ANTENNA RF SPRING 3PIN		
APPROVED	DATE	H:1.80mm B TYPE WITH POST		
PART NO: BA180-S3203B		REV: 01	SCALE: 1:1	UNIT: mm
DRAWING NO: BA180-S3203B		SIZE: A4	SHEET: 2/2	