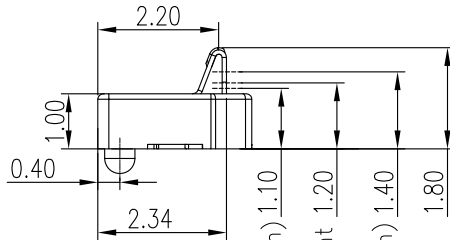
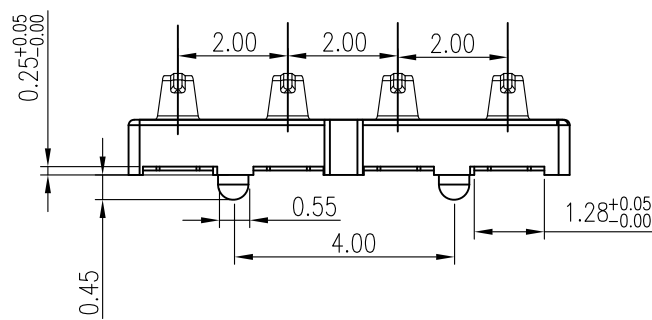
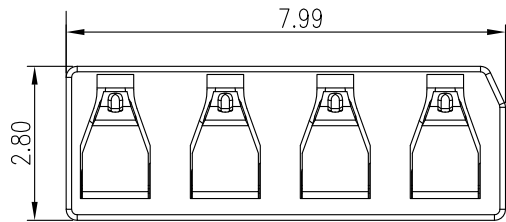


RoHS

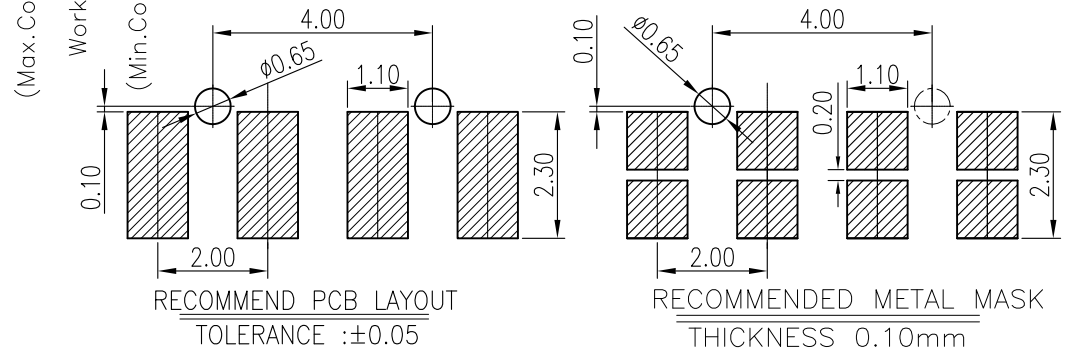
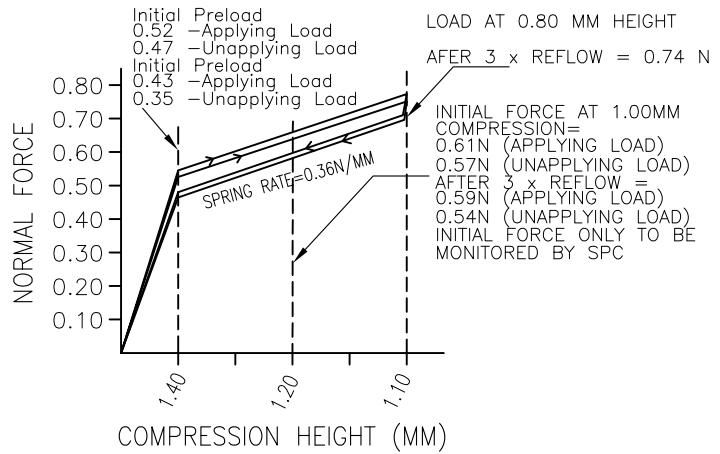
REV.	LOCAS.	DESCRIPTION	DRAW.	DATE.
02	NEW	ECN-1411010.	Andy	2014.11.20
03	MODIFY	ECN-1411010.	Andy	2015.05.28
04	MODIFY	UPDATE THE DRAWING FRAME	Alan	2016.03.08



NOTES:

- 1.MATERIAL:
 - 1.1 Housing:High Temperature Thermoplastic UL94V-0; Color Black.
 - 1.2 Terminal:Copper Alloy.
- 2.SPECIALITY:
 - 2.1 Rated current:1.0A
 - 2.2 Rated voltage:30V
 - 2.3 Contact Resistance:30mΩ Max
 - 2.4 Operating Temperature:-20°C~+65°C
 - 2.5 Max. Beam Deflection:0.70mm.On Contact POINT
3. RF PERFORMANCE:
 - 3.1 Impedance:50 ohm.
 - 3.2 Insertion Loss: 0.6dBMax.(DC~3GHz)
 - 3.3 VSWR: 1.5MAX.(DC~3GHz)

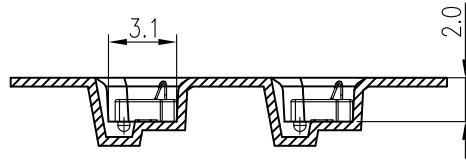
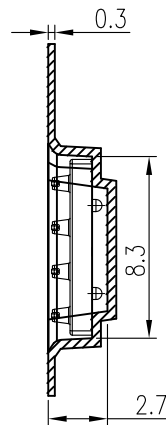
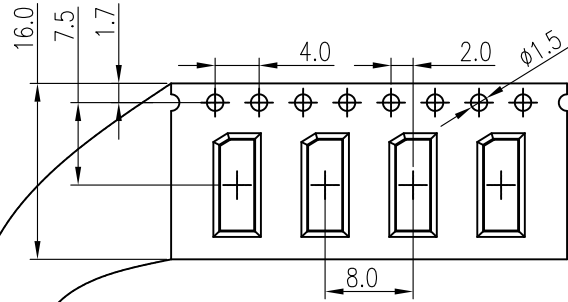
LOAD/DEFLECTION GRAPH
MINIMUM FORCE
TOLERANCE +0.25N / -0.0N



MEASURE POINT: QUADRANT POINT (QP) TANGENCY POINT (TP) INTERSECTION POINT (IP)	JTS JITS TECHNOLOGY CO., LIMITED		DESING	Andy	DATE	2016.03.08	TITLE: ANTENNA RF SPRING 4PIN H:1.80mm WITHOUT POST	
			CHECKED	Nick.F.H	DATE	2016.03.08		
UNLESS OTHERWISE SPECIFIED, TOLERANCE: X. ±0.25 X.x ±0.20 X.xx ±0.15 ANGULAR ±3°	APPROVED	HaiYong.Luo	DATE	2016.03.08				
	PART NO:	BA180-S4204A	REV:	04	SCALE:	1:1	UNIT:	mm
	DRAWING NO:	BA180-S4204A	SIZE:	A4	SHEET:	1/2		

RoHS

User Direction of Unreeling

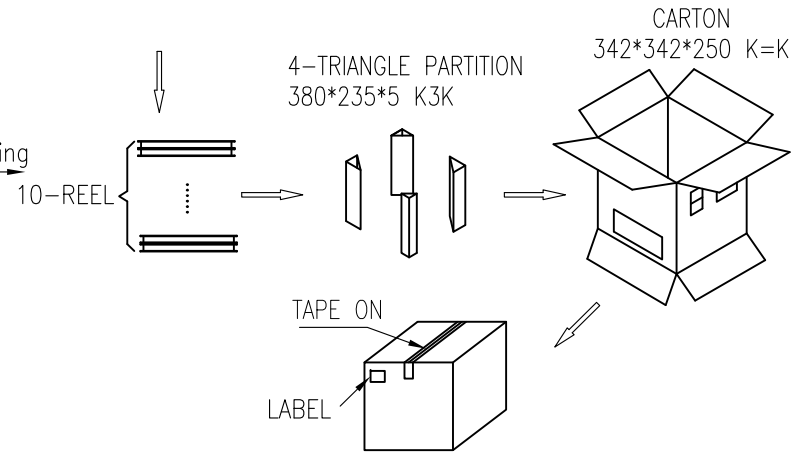
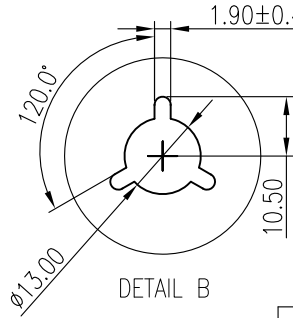
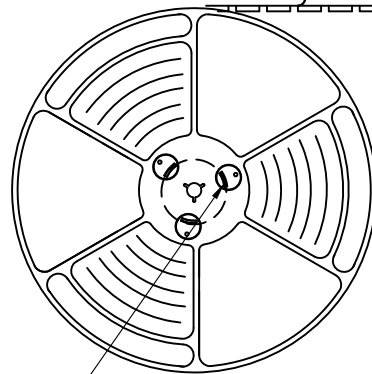


NOTES

1. NUMBER OF CONNECTORS: 3000PCS/REEL
2. LEAD TAPE LENGTH
3. QUANTITY: 30000PCS/CARTON
4. WEIGHT :
 3.1 NET WEIGHT : 1.56Kg
 3.2 GROSS WEIGHT : 3.30Kg

COVER TAPE PEELING ANGLE: 165°~180°
 PEELING FORCE: 20~130g

User Direction of Unreeling



MEASURE POINT:
 QUADRANT POINT (QP)
 TANGENCY POINT (TP)
 INTERSECTION POINT (IP)



UNLESS OTHERWISE SPECIFIED, TOLERANCE:
 X. ±0.25
 X.X ±0.20
 X.XX ±0.15
 ANGULAR ±3°

DESING	Alan	DATE	2016.03.08	TITLE:	ANTENNA RF SPRING 4PIN H:1.80mm WITH POST		
CHECKED	Nick.F.H	DATE	2016.03.08				
APPROVED	HaiYong.Luo	DATE	2016.03.08				
PART NO:	BA180-S4204A	REV:	04	SCALE:	1:1	UNIT:	mm
DRAWING NO:	BA180-S4204A	SIZE:	A4	SHEET:	2/2		