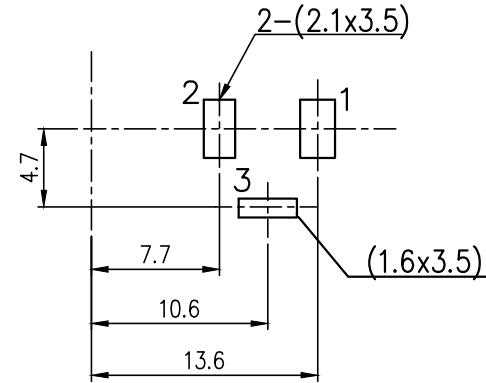
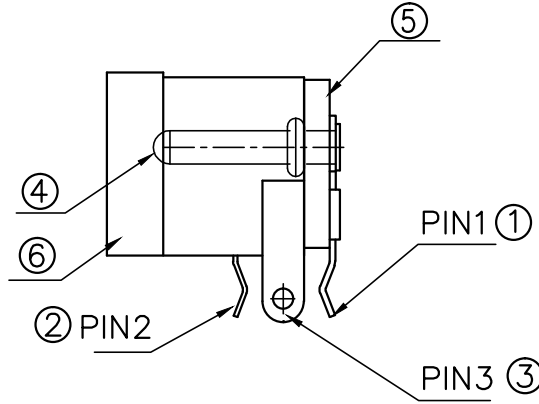
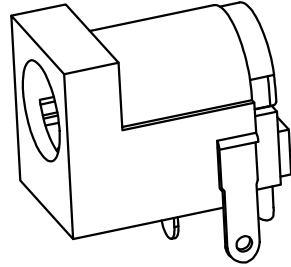
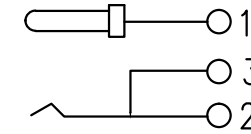
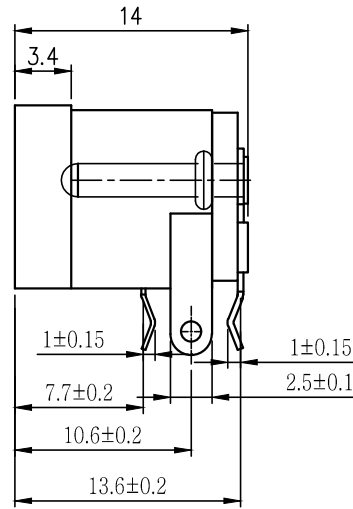
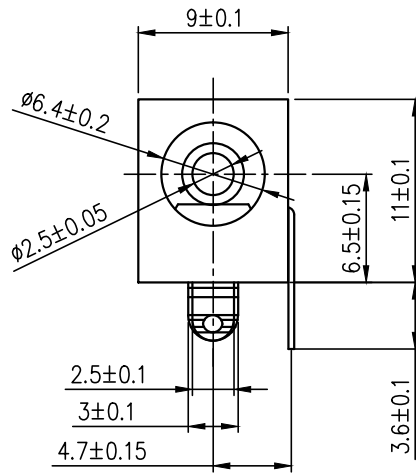


RoHS

REV.	LOCAS.	DESCRIPTION	DRAW.	DATE.
01	NEW	INITIAL RELEASE.	Wang Gang	2015.09.02



**PCB LAYOUT TOP VIEW**  
TOLERANCES: ±0.05



**CIRCUIT DIAGRAM**

⑥	HOUSING	1	PLASTIC	Black
⑤	COVER	1	PLASTIC	Black
④	CEN PIN	1	H65 φ2.5	CuSn-Plated
③	TERMINAL 3#	1	COPPER ALLOY t=0.35	Ag-Plated
②	TERMINAL 2#	1	COPPER ALLOY t=0.25	Ag-Plated
①	TERMINAL 1#	1	COPPER ALLOY t=0.35	Ag-Plated
No.	PART NAME	QTY	MATERIAL(THICK)	PLATING(COLOR)

MEASURE POINT:  
 QUADRANT POINT (QP)  
 TANGENCY POINT (TP)  
 INTERSECTION POINT (IP)

UNLESS OTHERWISE SPECIFIED, TOLERANCE:  
 X. ±0.25  
 X.X ±0.20  
 X.XX ±0.15  
 ANGULAR ±3°

**JTS** JITS  
 TECHNOLOGY CO., LIMITED

DESIGN	Wang Gang	DATE	2015.09.02	TITLE:	Ø2.5 DC POWER JACK CONN 板上11mm
CHECKED		DATE			
APPROVED		DATE			
PART NO:	DA1100-22101A	REV:		SCALE:	UNIT: mm
DRAWING NO:	DA1100-22101A	SIZE:		SHEET:	