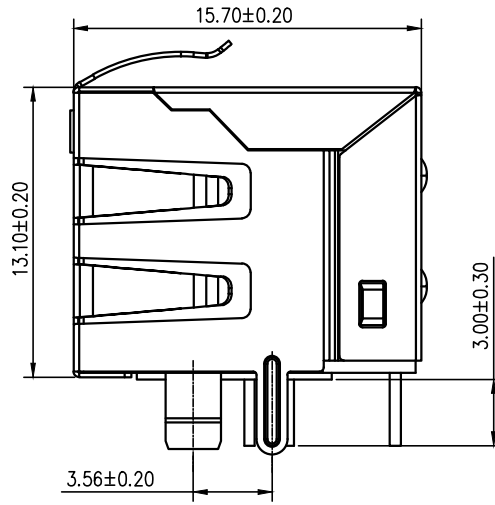
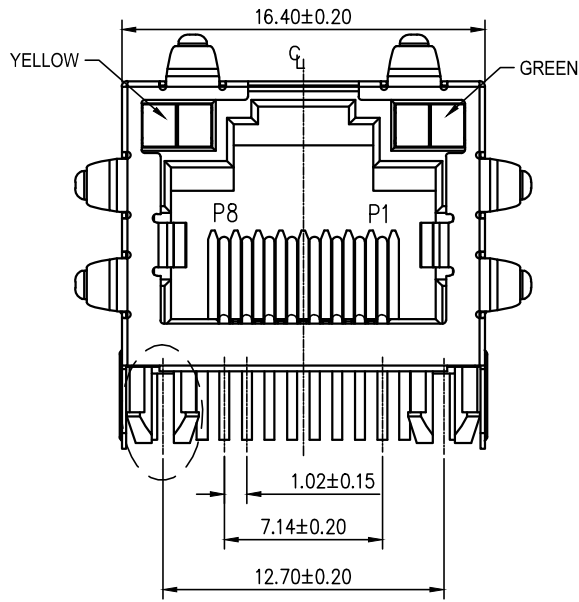
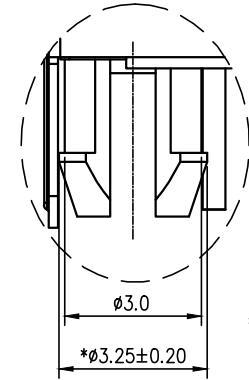


RoHS

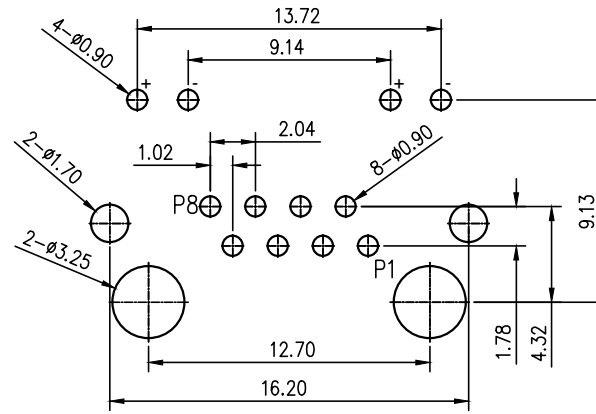
REV.	LOCAS.	DESCRIPTION	DRAW.	DATE.
01	NEW	INITIAL RELEASE.	Wang Gang	2015.09.02



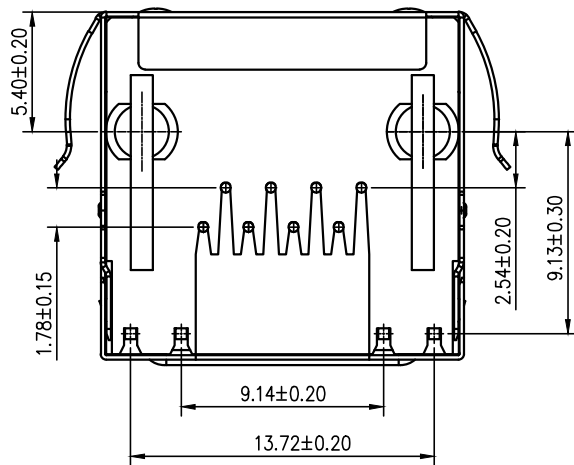
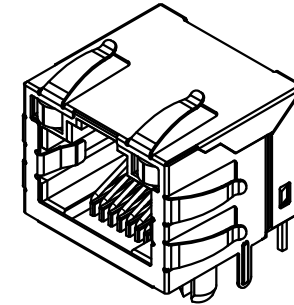
NOTE:
 1. MATERIAL:
 1.1 HOUSING: (HIGH TEMP.)THERMOPLASTIC
 UL94V-0 BLACK
 1.2 CONTACT: 0.45mm DIA COPPER ALLOY
 1.3 SHELL: COPPER ALLOY
 2. FINISH:
 2.1 CONTACT: GOLD PLATED OVER ALL
 2.2 SHELL: NICKEL PLATING OVER ALL
 3. LED1: YELLOW
 4. LED2: GREEN



DETAIL A
SCALE 2:1



RECOMMENDED P.C.B LAYOUT
(TOP VIEW)



MEASURE POINT:
 QUADRANT POINT (QP)
 TANGENCY POINT (TP)
 INTERSECTION POINT (IP)

JITS JITS
 TECHNOLOGY CO., LIMITED

UNLESS OTHERWISE SPECIFIED, TOLERANCE:
 X: ±0.25
 X.X: ±0.20
 X.XX: ±0.15
 ANGULAR: ±3°

DESIGN	Wang Gang	DATE	2015.09.02	TITLE:	RJ45 90度 DIP带灯带弹 (左黄右绿)		
CHECKED		DATE					
APPROVED		DATE					
PART NO:	RJ131-K0802A	REV:		SCALE:		UNIT:	mm
DRAWING NO:	RJ131-K0802A	SIZE:		SHEET:			