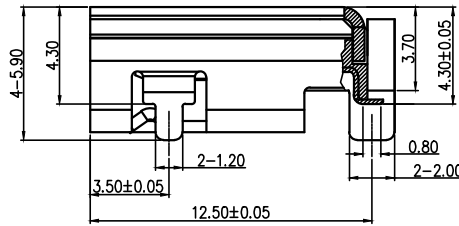
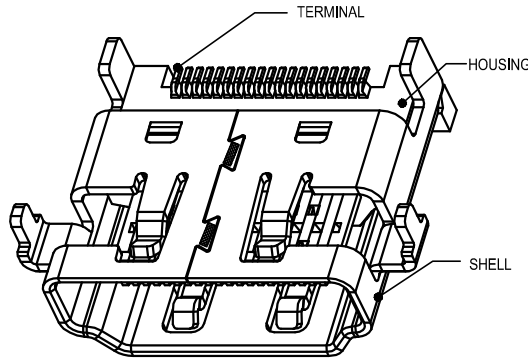
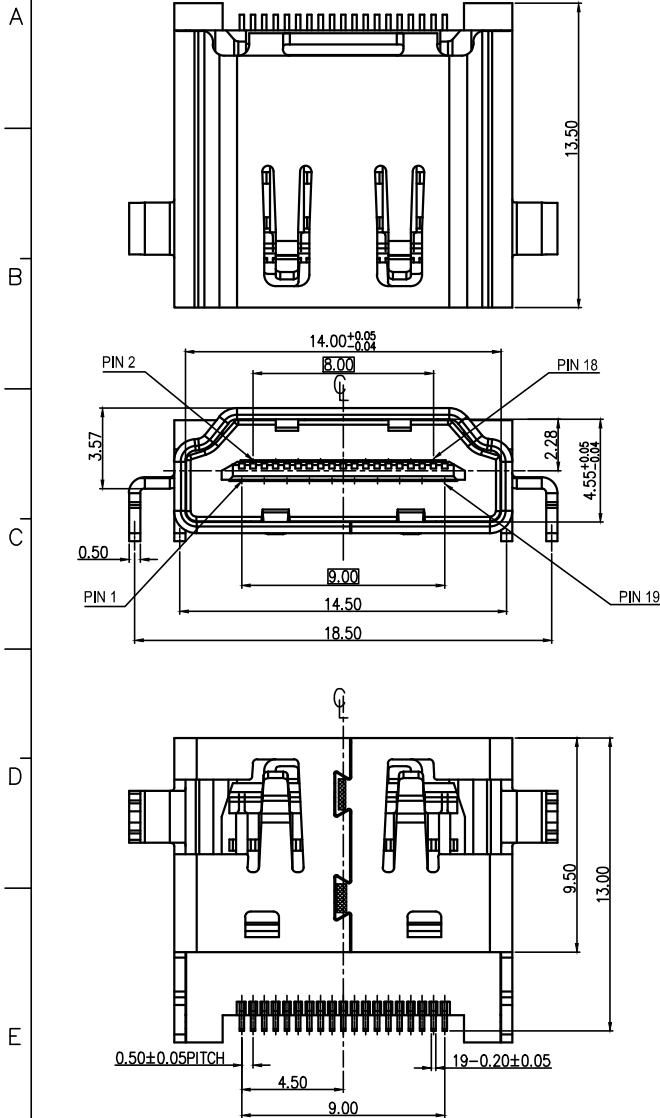


RoHS

REV.	LOCAS.	DESCRIPTION	DRAW.	DATE.
01	NEW	INITIAL RELEASE.	Wang Gang	2015.09.02



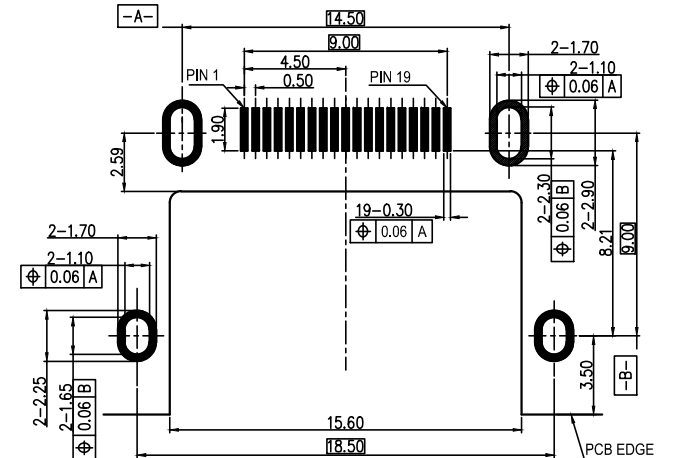
NOTE:

1. MATERIAL:

HOUSING: LCP BALCK, UL 94V-0,
 TERMINAL: COPPER ALLOY
 SHELL: COPPER ALLOY

2. FINISH:

CONTACTS: (SEE TABLE) GOLD PLATED ON CONTACT AREA,
 2.54mm [100μ"] MIN. MATTE-TIN ON SOLDER TAIL, WITH
 ENTIRE ONTACT UNDERPLATED 1.27mm[50μ"] MIN. NICKEL.
 BOARDLOCKS: 1.27mm [50μ"] MIN. NICKEL PLATED.



RECOMMENDED PCB LAYOUT
 PCB THICKNESS 1.60mm
 TORLERANCE=±0.05

MEASURE POINT:
 QUADRANT POINT (QP)
 TANGENCY POINT (TP)
 INTERSECTION POINT (IP)

JTS JITS
 TECHNOLOGY CO., LIMITED

UNLESS OTHERWISE SPECIFIED, TOLERANCE:
 X. ±0.25
 X.x ±0.20
 X.xx ±0.15
 ANGULAR ±3°

DESIGN	Wang Gang	DATE	2015.09.02
CHECKED		DATE	
APPROVED		DATE	

TITLE:
 HDMI SMT 19PINS
 反向沉板, 板上高度3.57

PART NO: HA357-K1901A
 DRAWING NO: HA357-K1901A

REV:	SCALE:	UNIT:	mm
SIZE:	SHEET:		