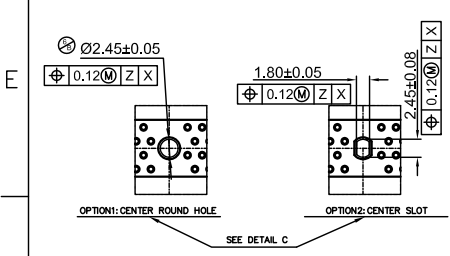
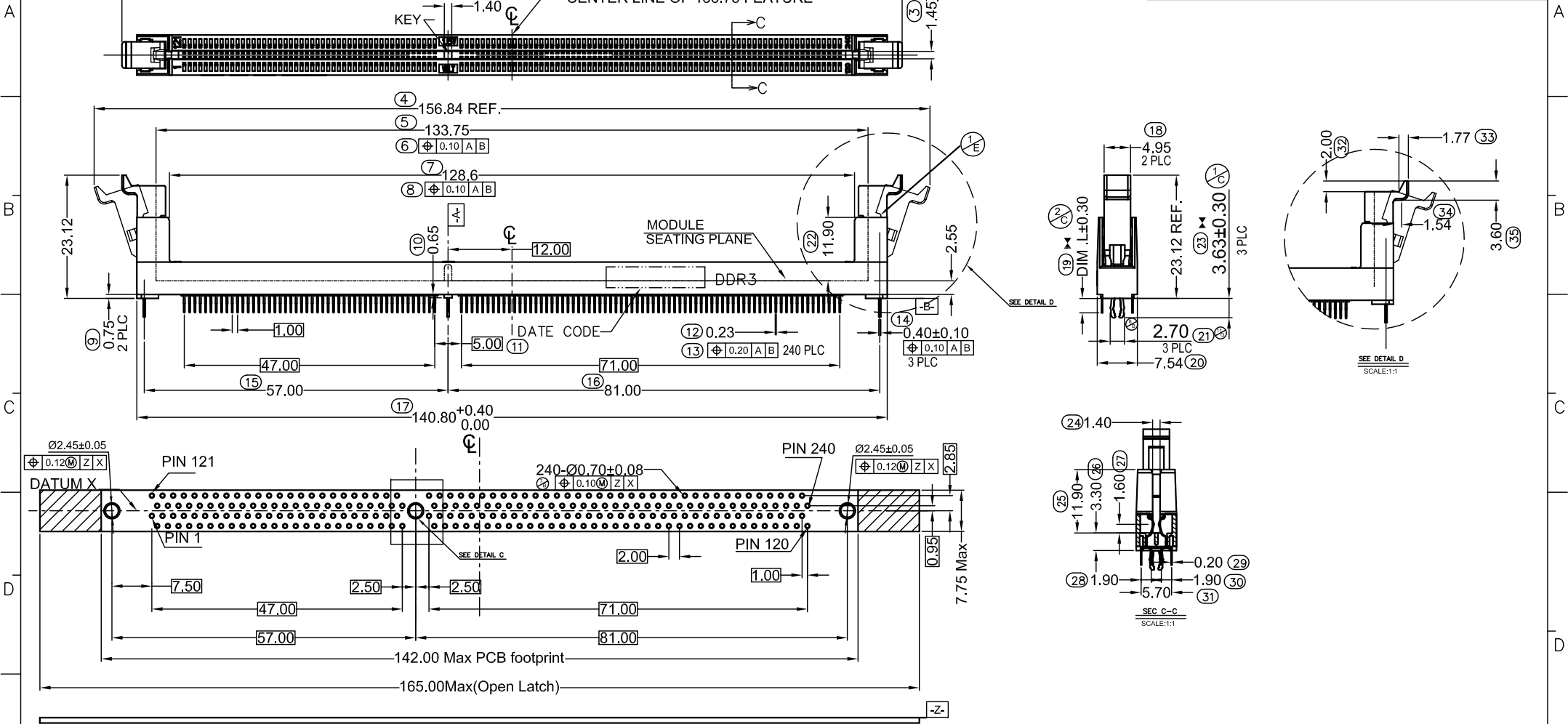


RoHS

REV.	LOCAS.	DESCRIPTION	DRAW.	DATE.
01	NEW	INITIAL RELEASE.	Wang Gang	2015.09.02



MEASURE POINT: (QP)
 QUADRANT POINT (QP)
 TANGENCY POINT (TP)
 INTERSECTION POINT (IP)

UNLESS OTHERWISE SPECIFIED, TOLERANCE:

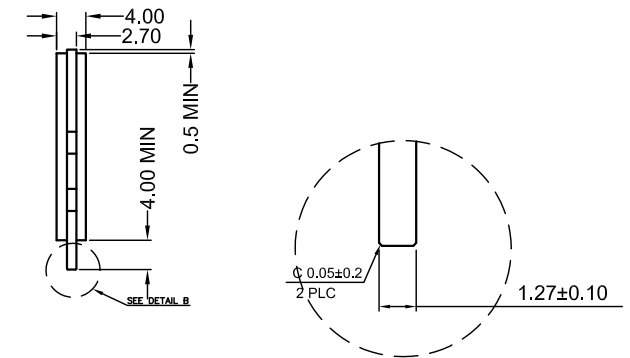
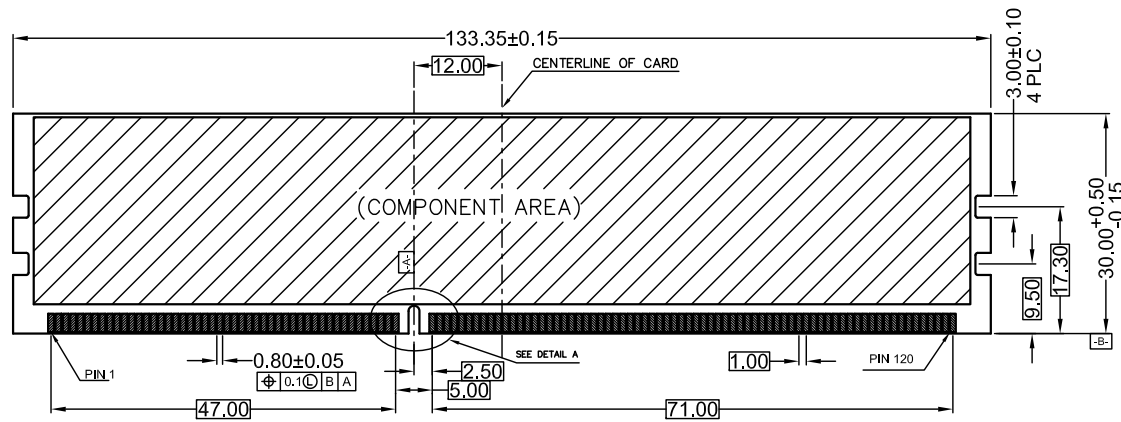
X	±0.25
X.x	±0.20
X.xx	±0.15
ANGULAR	±3°

JITS JITS TECHNOLOGY CO., LIMITED

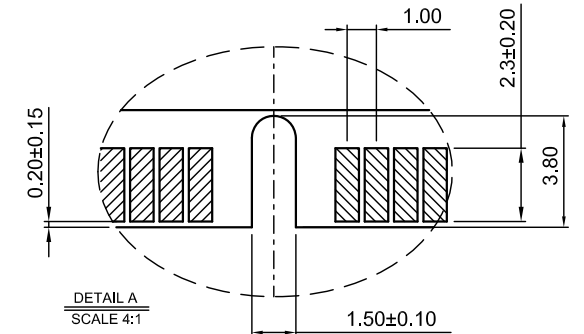
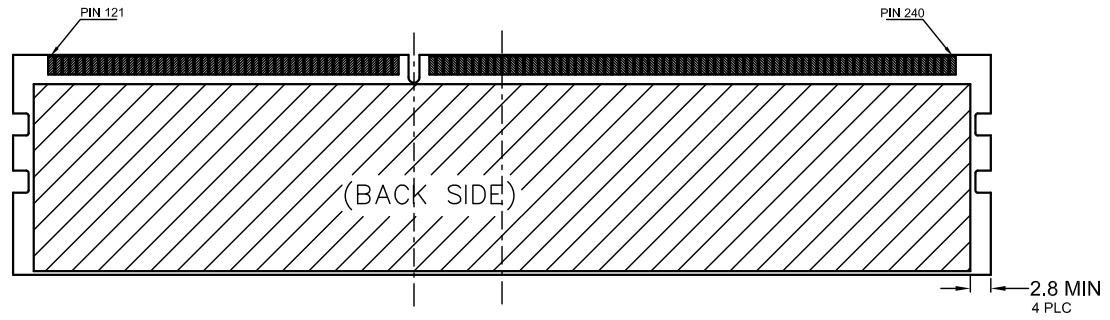
DESIGN	Wang Gang	DATE	2015.09.02	TITLE:	DDR III 240 CONNECTOR		
CHECKED		DATE					
APPROVED		DATE					
PART NO:	SEE TABLE	REV:		SCALE:		UNIT:	mm
DRAWING NO:	ADR0001	SIZE:		SHEET:			

RoHS

REV.	LOCAS.	DESCRIPTION	DRAW.	DATE.
01	NEW	INITIAL RELEASE.	Wang Gang	2015.09.02



RECOMMENDED MODULE LAYOUT FRONT SIDE
MODULE LAYOUT REFER TO JEDEC MO-269



- MEASURE POINT: (QP)
- QUADRANT POINT (QP)
- TANGENCY POINT (TP)
- INTERSECTION POINT (IP)

- UNLESS OTHERWISE SPECIFIED, TOLERANCE:
- X. ±0.25
 - X.x ±0.20
 - X.xx ±0.15
 - ANGULAR ±3°

JITS JITS TECHNOLOGY CO., LIMITED

DESING	Wang Gang	DATE	2015.09.02	TITLE:	
CHECKED		DATE		DDR III 240 CONNECTOR	
APPROVED		DATE			
PART NO:	SEE TABLE	REV:		SCALE:	UNIT: mm
DRAWING NO:	ADR0001	SIZE:		SHEET:	

RoHS

REV.	LOCAS.	DESCRIPTION	DRAW.	DATE.
01	NEW	INITIAL RELEASE.	Wang Gang	2015.09.02

NOTES:

PRODUCT MUST MEET CONTROLLED SUBSTANCES SPEC. ROHS 2.0

1. MATERIAL: 

1.1 HOUSING: PA66+30%GF, UL94V-0; COLOR: SEE TABLE

1.2 EAR: PA66+30%GF, UL94V-0; COLOR: SEE TABLE

1.3 CONTACT: BRASS COOPER C2680.

1.4 BOARD LOCK: STEEL SUS304.

2. FINISH:

2.1 CONTACT:

GOLD PLATING(SEE TABLE) ON CONTACT AREA.

2.54um[100u"] MIN. MATTE-TIN PLATING ON SOLDER TAIL AREA.

2.25um[90u"] MIN. ON CONTACT AREA; 2.7um[50u"] MIN. NICKEL ON OTHER AREA

3. DIMENSIONS MARKED  MUST BE CONTROLLED BY CPK.

4. DATE CODE TYPE: PRINT OR HOT STAMP OR LASER

5. WAVE SOLDER CAPABLE TO 265°C ±5°C 5S.

6. MECHANICAL SPECIFICATION:

INSERTION FORCE: 10.89kg MAX.

WITHDRAW FORCE: 14 g MIN PER CONTACT PAIR

CONTACT RETENTION FORCE: 0.3kg MIN PER CONTACT

DURABILITY: 25MATING AND UNMATING CYCLES

INSERTION FORCE OF CONNECTOR INTO PCB (WITH THREE BOARD LOCKS): 7.60kg MAX.

7. ELECTRICAL SPECIFICATION

CONTACT RESISTANCE: 30 MILLIOHMS MAX. INITIAL, 20 MILLIOHMS MAX. AFTER TEST

CURRENT RATING: 0.50AMPS MAX.

INSULATION RESISTANCE: 1 MEGOHMS MIN. AT 500VAC

DIELECTRIC WITHSTAND VOLTAGE: 500VAC MIN. FOR ONE MINUTE.

8. ENVIRONMENT SPECIFICATION

OPERATING TEMPERATURE: -20°C TO +85°C.

SOLDERABILITY: PASSED PER JESD22-B102, Condition C.

VIBRATION: PASSED PER EIA-364-28.

HUMIDITY: PASSED PER EIA-364-31.

THERMAL SHOCK: PASSED PER EIA-364-32.

MECHANICAL SHOCK: PASSED PER EIA-364-27.

9. PART NUMBER INFORMATION:

ADR0001 X X X X X T HF

HF: HALOGEN FREE DEFAULT: HALOGEN

PACKAGE CODE: T: TRAY PACKING

X: JITS LOGO Y: NO LOGO

PLATING CODE: 1: GOLD FLASH 5: GOLD 3u" Pd-Ni 12u"

2: GOLD 10u" 6: GOLD 30u"

3: GOLD 15u"

4: GOLD 20u"

EAR COLOR: 1: BLACK 2: WHITE

HOUSING COLOR: 1: BLACK 2: YELLOW (1235C) 3: RED(1795U) 4: BLUE(297C)

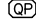
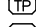

5: BRIGHT RED(1797C) 6: WHITE 7: VIOLET(2726U) 8: GRAY(431C) 9: DARK BLUE(2935U)

TAIL LENGTH: 1: 2.30 2: 2.70

3: 3.10

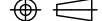
SERIAL NUMBER:

0001: DDR III 240 CONNECTOR

MEASURE POINT:
 QUADRANT POINT 
 TANGENCY POINT 
 INTERSECTION POINT 

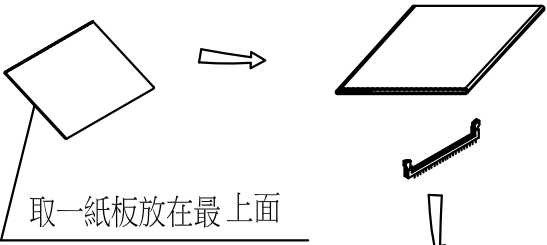


UNLESS OTHERWISE SPECIFIED, TOLERANCE:
 X. ±0.25
 X.x ±0.20
 X.xx ±0.15
 ANGULAR ±3°

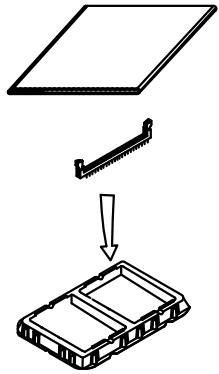
DESIGN	Wang Gang	DATE	2015.09.02	TITLE:	
CHECKED		DATE		DDR III 240 CONNECTOR	
APPROVED		DATE			
PART NO:	SEE TABLE	REV:		SCALE:	UNIT: mm
DRAWING NO:	ADR0001	SIZE:		SHEET:	

RoHS

REV.	LOCAS.	DESCRIPTION	DRAW.	DATE.
01	NEW	INITIAL RELEASE.	Wang Gang	2015.09.02



取一紙板放在最上面

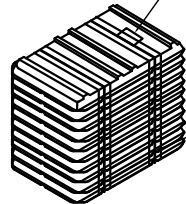
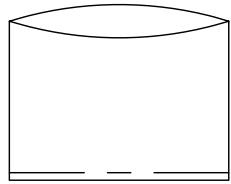


內箱標籤

每箱僅上面用一個真空蓋

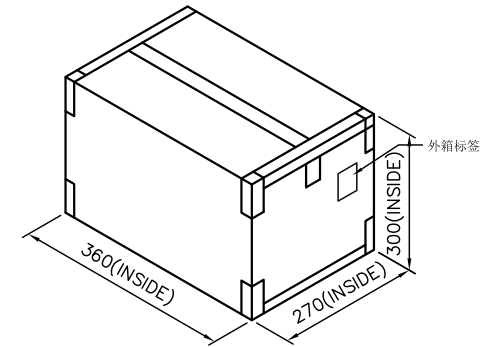
6.30KG	4.5KG	50	10	500	ADR0001-*
GROSS WEIGHT	NET WEIGHT	PCS/ TRAY	TRAY/ BOX	PCS/ BOX	PART NUMBER

待PE膜纏好后，用PE防水袋把纏好的TRAY盤包起來，最後用膠帶紙封好。

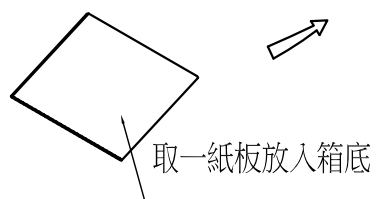


每箱放10盤成品

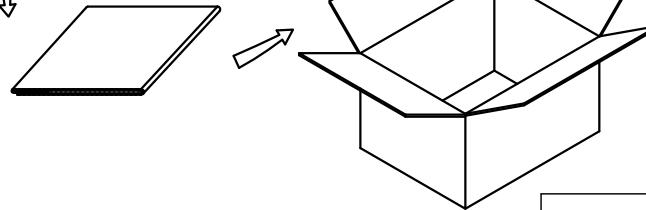
用保鮮膜把TRAY盤各纏四層



外箱標籤



取一紙板放入箱底



MEASURE POINT:
 QUADRANT POINT (QP)
 TANGENCY POINT (TP)
 INTERSECTION POINT (IP)

UNLESS OTHERWISE SPECIFIED, TOLERANCE:
 X. ±0.25
 X.x ±0.20
 X.xx ±0.15
 ANGULAR ±3'

JITS JITS TECHNOLOGY CO., LIMITED

DESING	Wang Gang	DATE	2015.09.02	TITLE:	
CHECKED		DATE		DDR III 240 CONNECTOR	
APPROVED		DATE		REV:	SCALE:
PART NO:	SEE TABLE	REV:		UNIT:	mm
DRAWING NO:	ADR0001	SIZE:		SHEET:	