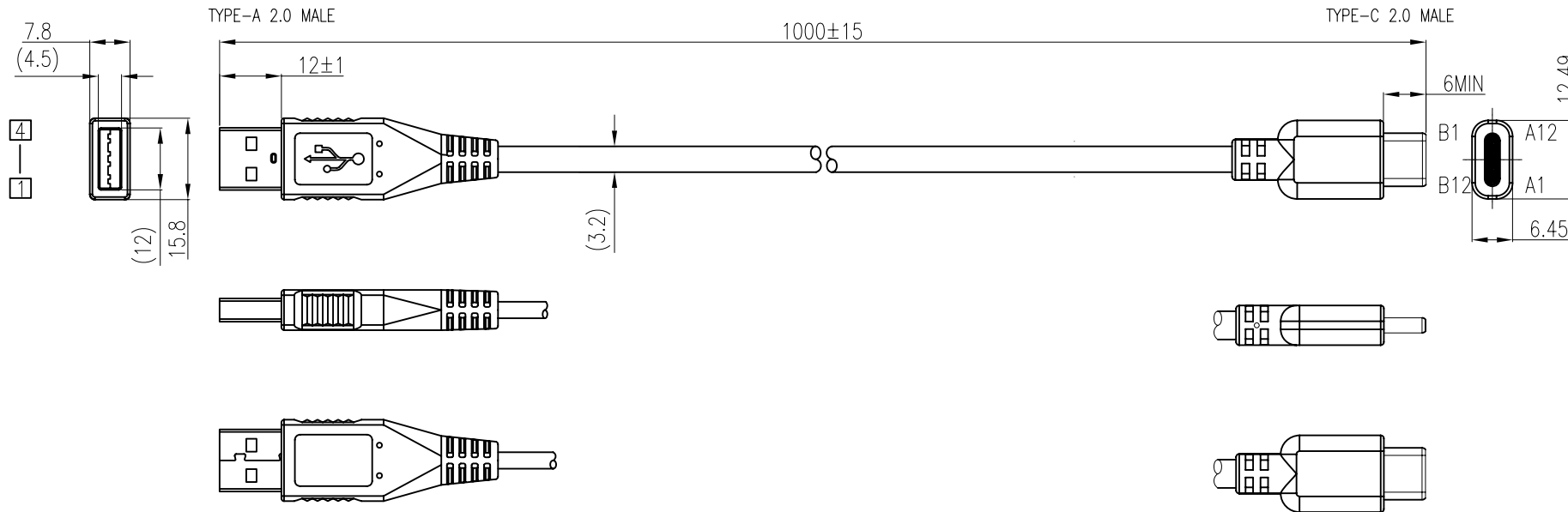
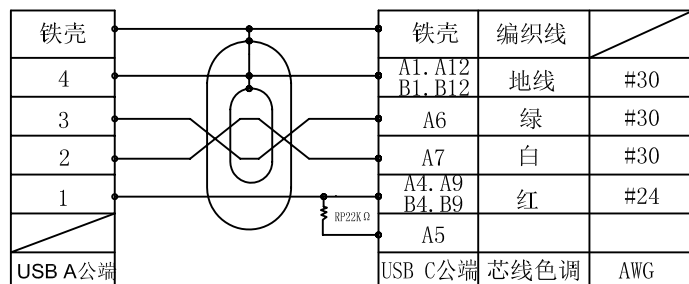


RoHS

REV.	LOCAS.	DESCRIPTION	DRAW.	DATE.
A	NEW	INITIAL RELEASE.	FEI	2015.08.27



配线表



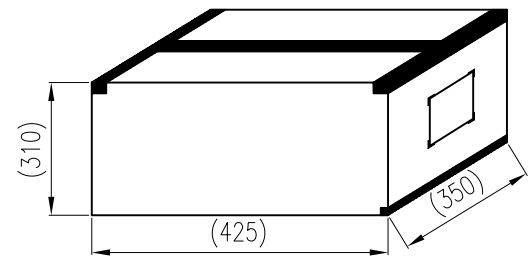
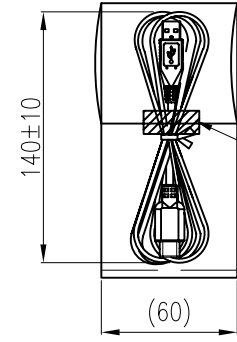
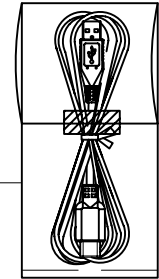
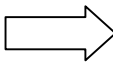
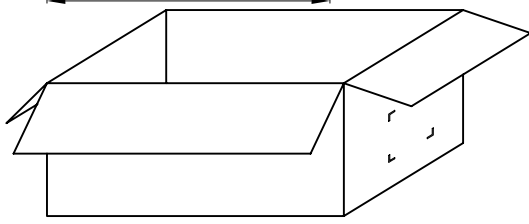
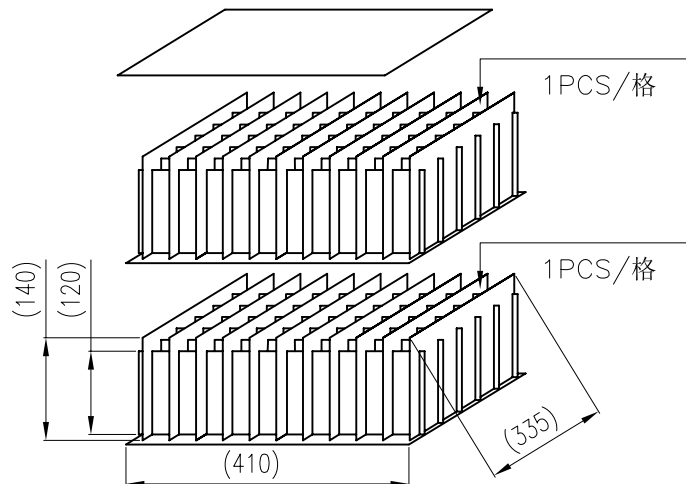
Notes:

1. 未注明公差: ±0.20;
2. ()为参考尺寸

MEASURE POINT: QUADRANT POINT (QP) TANGENCY POINT (TP) INTERSECTION POINT (IP)				
	DESING	DATE	TITLE:	
	CHECKED	DATE	USB TYPE-C 2.0 Male To USB TYPE-A 2.0 Male Cable	
	APPROVED	DATE	L=1000mm	
UNLESS OTHERWISE SPECIFIED, TOLERANCE: X. ±0.25 X.X ±0.20 X.XX ±0.15 ANGULAR ±3°	PART NO: WD-00009	REV: A	SCALE: 1:1	UNIT: mm
	DRAWING NO: WD-00009	SIZE: A4	SHEET: 1/2	

RoHS

REV.	LOCAS.	DESCRIPTION	DRAW.	DATE.
A	NEW	INITIAL RELEASE.	FEI	2015.08.27



100PCS/箱

MEASURE POINT:
 QUADRANT POINT (QP)
 TANGENCY POINT (TP)
 INTERSECTION POINT (IP)

UNLESS OTHERWISE SPECIFIED, TOLERANCE:
 X. ±0.25
 X.X ±0.20
 X.XX ±0.15
 ANGULAR ±3'



DESIGN	DATE	TITLE: USB TYPE-C 2.0 Male To USB TYPE-A 2.0 Male Cable L=1000mm		
CHECKED	DATE	REV: A SCALE: 1:1 UNIT: mm		
APPROVED	DATE	PART NO: WD-00009 SHEET: 2/2		
DRAWING NO: WD-00009		SIZE: A4		