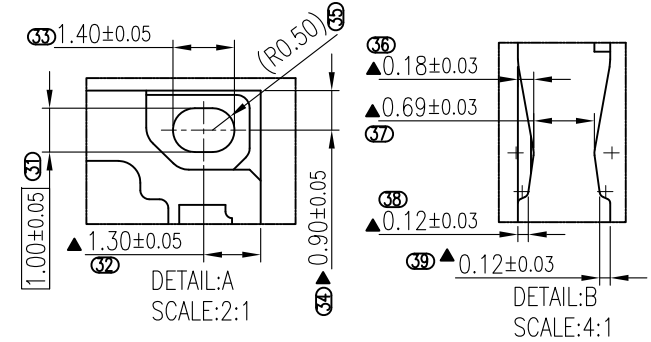
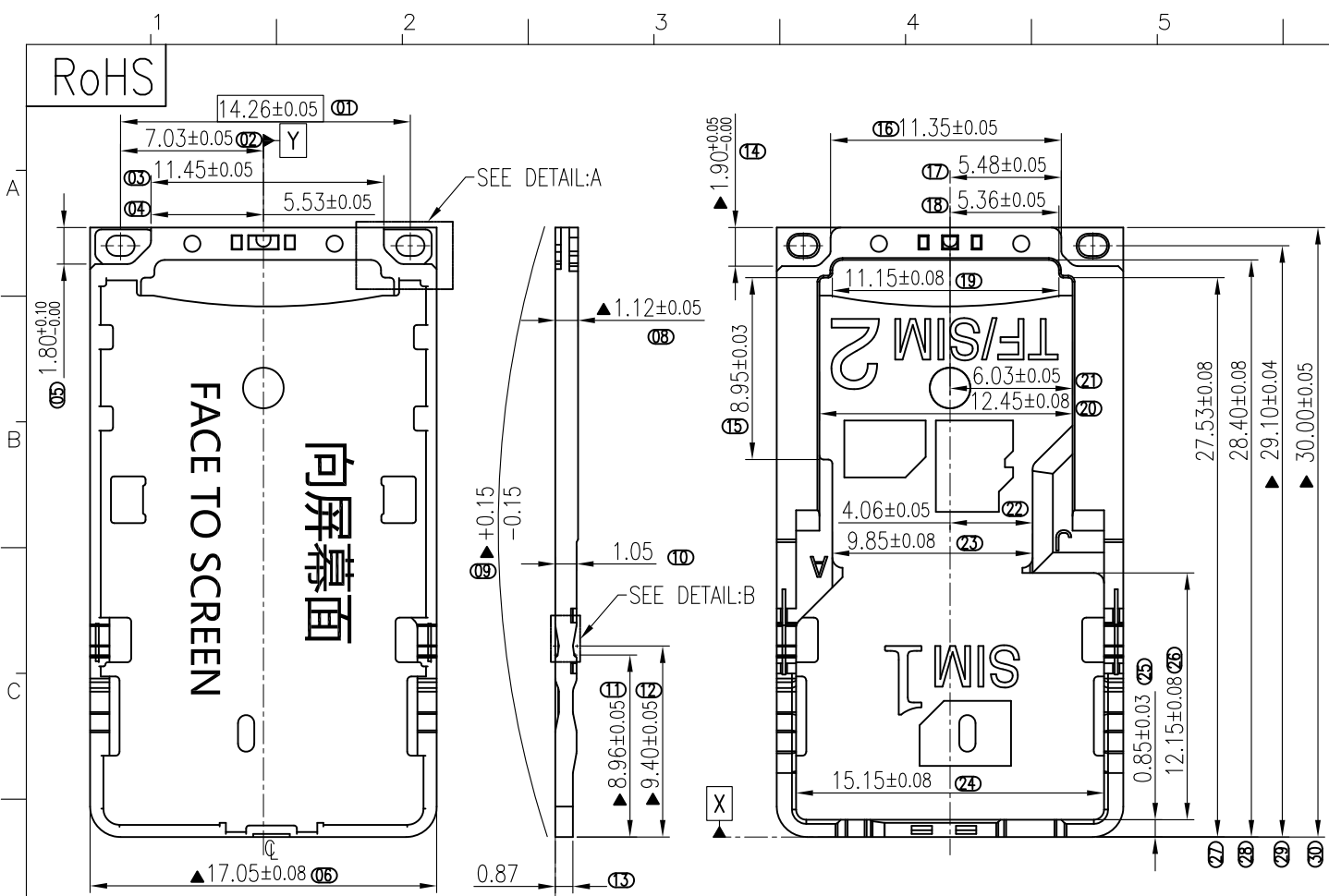
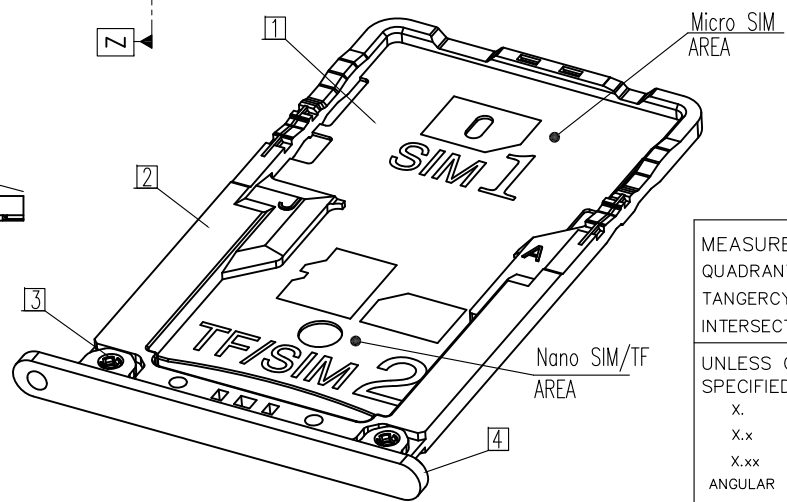


RoHS

REV.	LOCAS.	DESCRIPTION	DRAW.	DATE.
A	NEW		Sam	2016.04.11



NOTES:
 1. MATERIAL:SEE TABLE (Can't add recycled material)
 2. DIMENSIONS WITH MARK ▲ "MUST BE MEASURE BY QC"
 3. DIMENSIONS WITH MARK □ "MUST BE CHECKED CPK"
 4. PLEASE CONTACT JITS SALES REPRESENTATIVE TO VERIFY PRODUCT DETAILS & AVAILABILITY



4	Door Sheet	1PC	Aluminum Alloy	
3	Rivet	2PC	Stainless steel	
2	Housing	1PC	PC	Color: White
1	COVER	1PC	SUS304-3/4H,T=0.15	
NO	Description	Dosage	Material	Color/plating

Material/Color	PART NO
PC White	SK145-P210-07B

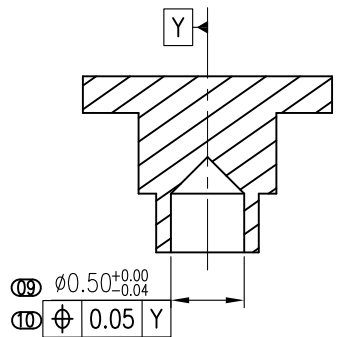
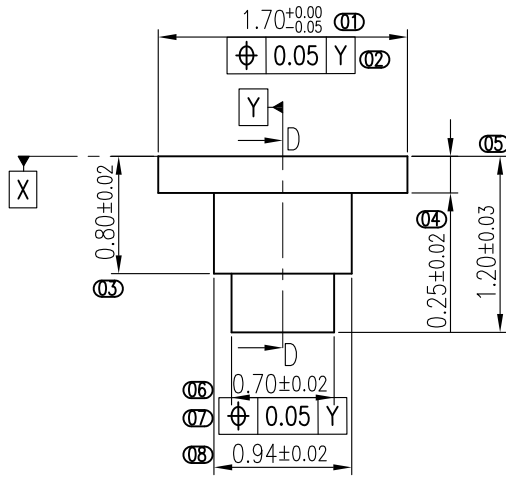
MEASURE POINT: QP
 QUADRANT POINT: TP
 TANGENCY POINT: TP
 INTERSECTION POINT: IP

UNLESS OTHERWISE SPECIFIED, TOLERANCE:
 X. ±0.25
 X.X ±0.20
 X.XX ±0.15
 ANGULAR ±3°

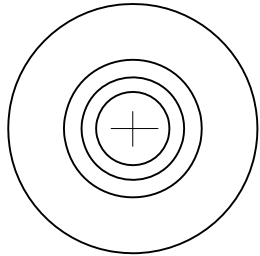
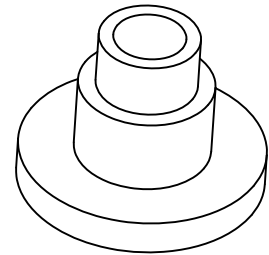
JITS JITS ELECTRONIC CO., LIMITED

DESING	Sam.xu	DATE	2016.04.11	TITLE: MICRO SIM+SD/Nano SIM TRAY	
CHECKED	Nick.FH.Yu	DATE	2016.04.11		
APPROVED	Luo.Haiyong	DATE	2016.04.11		
PART NO:	SK145-P210-07B	REV:	1	SCALE: 1:1	UNIT: mm
DRAWING NO:	SK145-P210-07B	SIZE:	A4	SHEET: 1/4	

RoHS



SECTION: D-D

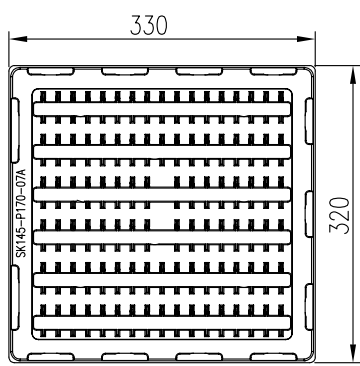
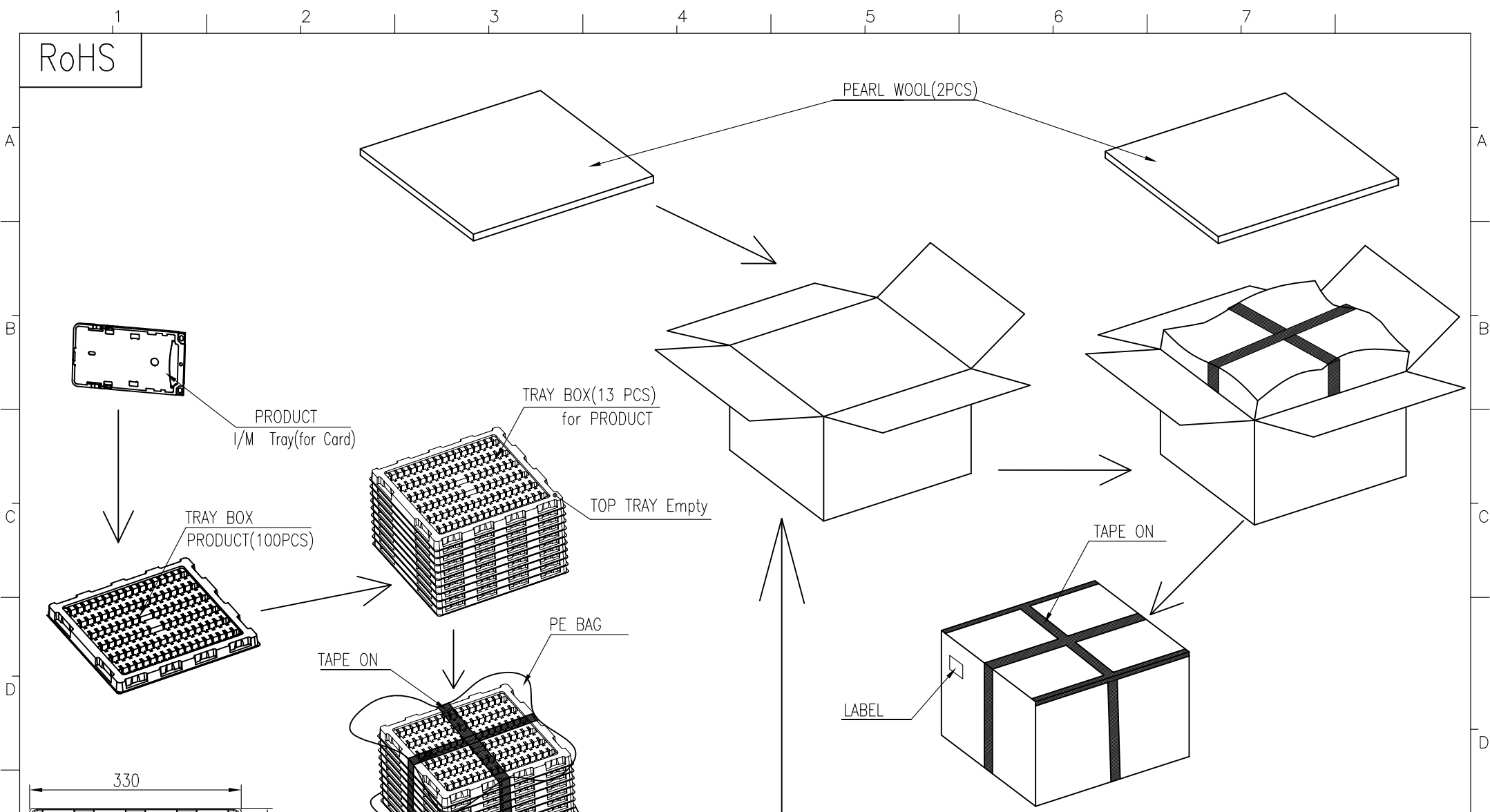


MEASURE POINT: (QP)
 QUADRANT POINT (QP)
 TANGENCY POINT (TP)
 INTERSECTION POINT (IP)

JITS JITS
 ELECTRONIC CO., LIMITED

UNLESS OTHERWISE SPECIFIED, TOLERANCE: X. ±0.25 X.x ±0.20 X.xx ±0.15 ANGULAR ±3'	DESIGN	Sam.xu	DATE	2016.04.11	TITLE: MICRO SIM+SD/Nano SIM TRAY			
	CHECKED	Nick.FH.Yu	DATE	2016.04.11				
	APPROVED	Luo.Haiyong	DATE	2016.04.11				
	PART NO:	SK145-P210-07B	REV:	1	SCALE:	1:1	UNIT:	mm
	DRAWING NO:	SK145-P210-07B	SIZE:	A4	SHEET:	3/4		

RoHS



ITEM	P/N	QTY/CARTON	CARTON SIZE
1	SK145-P210-07B	1200	335*335*255

MEASURE POINT:
 QUADRANT POINT (QP)
 TANGENCY POINT (TP)
 INTERSECTION POINT (IP)

UNLESS OTHERWISE SPECIFIED, TOLERANCE:
 X. ±0.25
 X.X ±0.20
 X.XX ±0.15
 ANGULAR ±3'

JTS **JITS ELECTRONIC CO., LIMITED**

DESING	Sam.xu	DATE	2016.04.11	TITLE: MICRO SIM+SD/Nano SIM TRAY			
CHECKED	Nick.FH.Yu	DATE	2016.04.11				
APPROVED	Luo.Haiyong	DATE	2016.04.11				
PART NO:	SK145-P210-07B	REV:	1	SCALE:	1:1	UNIT:	mm
DRAWING NO:	SK145-P210-07B	SIZE:	A4	SHEET:	4/4		