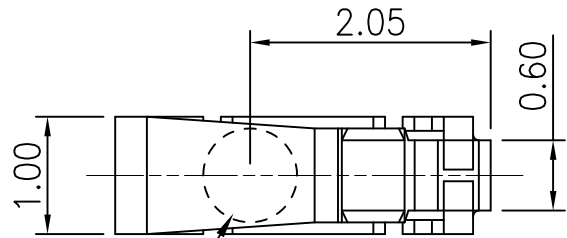
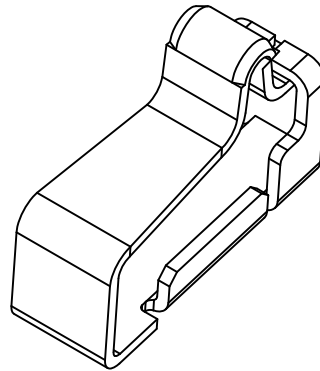


RoHS

REV.	LOCAS.	DESCRIPTION	DRAW.	DATE.
01	NEW	INITIAL RELEASE.	Junly	2012.05.14



∅0.80
PICK&PLACE
NOZZLE



NOTES:

1.MATERIAL:

1.1 Copper Alloy.

2.SPECIALITY:

2.1 Contact Resistance:50mΩ Max

2.2 Operating Temperature:-20°C~+65°C

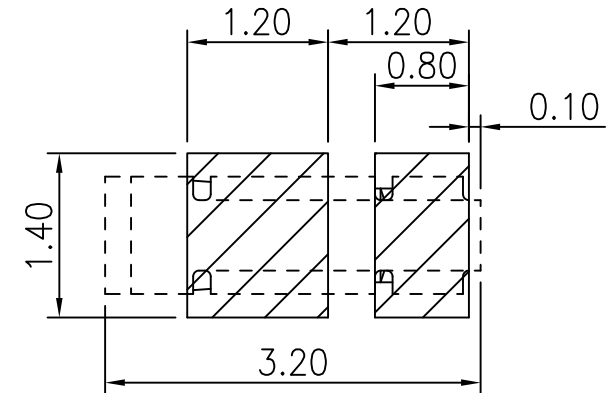
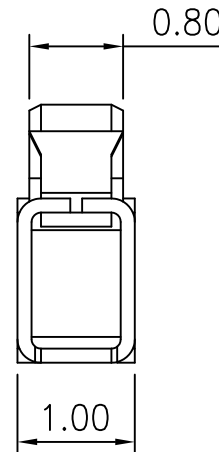
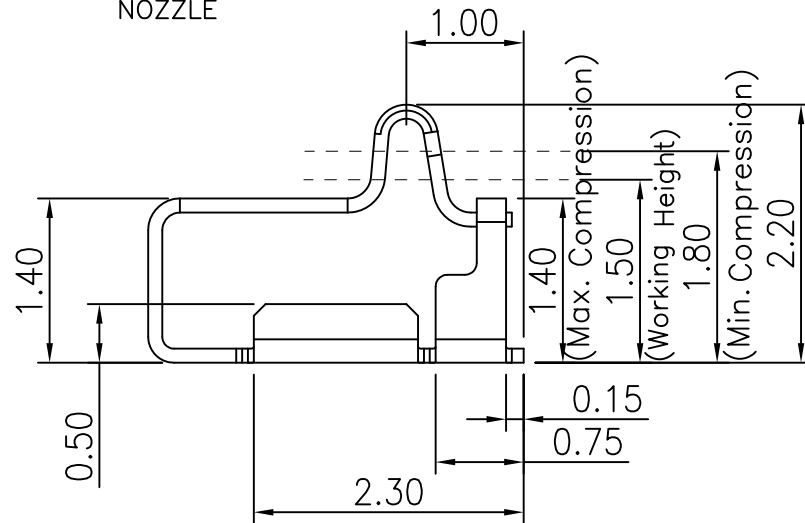
2.3 Max. Beam Deflection:0.80mm.On Contact POINT

3. RF PERFORMANCE:

3.1 Impedance:50 ohm.

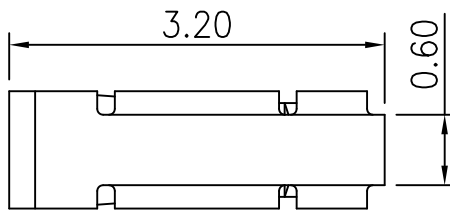
3.2 Insertion Loss: 0.6dBMax.(DC~3GHz)

3.3 VSWR: 1.5MAX.(DC~3GHz)



RECOMMENDED PCB LAYOUT

TOLERANCE:±0.05



MEASURE POINT:
 QUADRANT POINT (QP)
 TANGENCY POINT (TP)
 INTERSECTION POINT (IP)



UNLESS OTHERWISE
 SPECIFIED, TOLERANCE:
 X. ±0.25
 X.x ±0.20
 X.xx ±0.15
 ANGULAR ±3°

DESING	Junly	DATE	2012.05.14	TITLE: ANTENNA RF SPRING SMT TYPE H:2.20mm L:3.20*1.00*2.20mm		
CHECKED	Nick	DATE	2012.05.14			
APPROVED	Haiyong	DATE	2012.05.14			
PART NO: P-JS-TTB22				REV: 01	SCALE: 16:1	UNIT: mm
DRAWING NO: P-JS-TTB22				SIZE: A4	SHEET: 1/1	