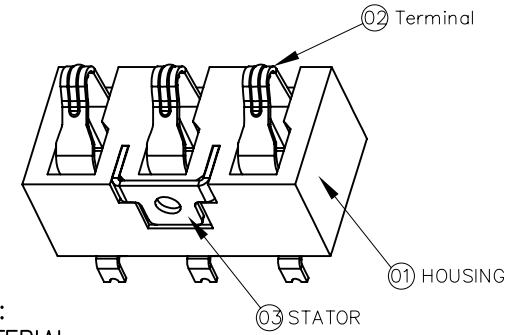
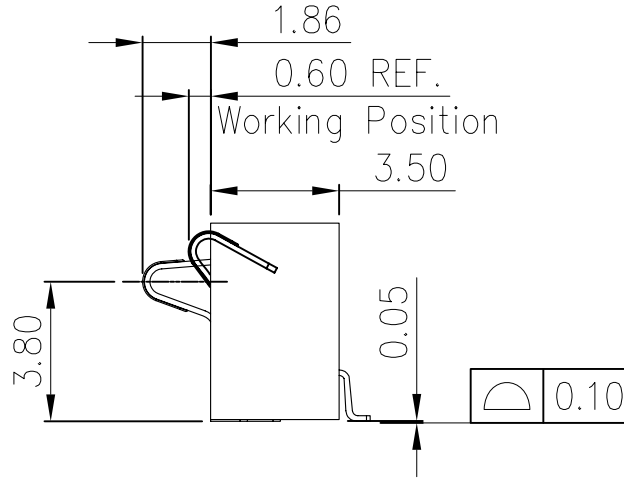
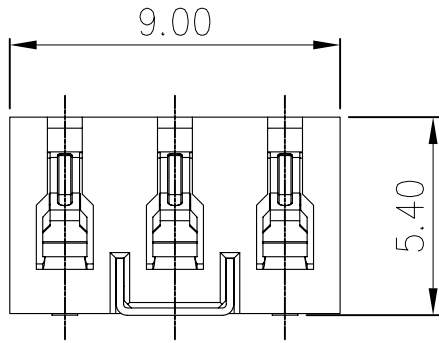
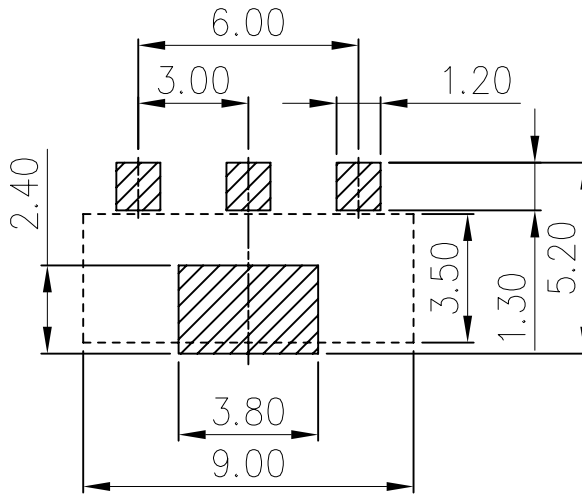
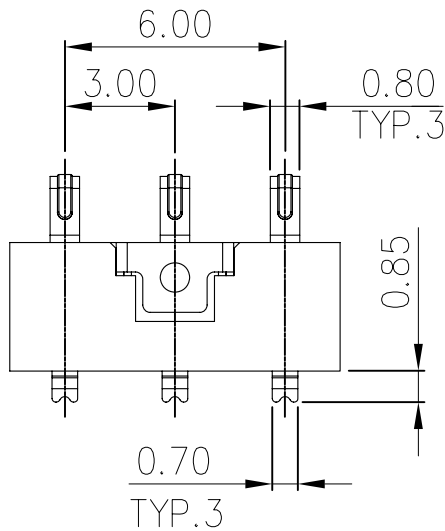


RoHS

REV.	LOCAS.	DESCRIPTION	DRAW.	DATE.
01	NEW	INITIAL RELEASE.	Junly	2008.08.26



- NOTES:**
- MATERIAL:**
    - Housing: LCP, UL94V-0; Color Black.
    - Terminal: C5210-SH.
    - Stator: SUS304-1/2H
  - FINISH:**
    - Terminal: Au 3u"Min Plated On Contact Area; 100~120u"Matte Tin On Solder Tail; 60u" Min Nickel Over All.
    - Stator: 100~120u"Matte Tin On Solder Tail; 60u" Min Nickel Over All.
  - SPECIALITY:**
    - Rated current: 2.0A Max
    - Rated voltage: 30V
    - Contact Resistance: 50mΩ MAX
    - Insulation Resistance: 1000MΩ MIN 500V DC
    - Dielectric withstanding voltage: 500V AC.
    - Solder ability: 255±5°C, 5±0.5s.
    - Operating condition: Temperature -30°C~+80°C; Humidity 15%~70% R.H



RECOMMENDED PCB LAYOUT  
GENERAL TOLERANCE ±0.05

MEASURE POINT: (QP)  
 QUADRANT POINT (TP)  
 TANGENCY POINT (IP)  
 INTERSECTION POINT

UNLESS OTHERWISE SPECIFIED, TOLERANCE:  
 X. ±0.25  
 X.x ±0.20  
 X.xx ±0.15  
 ANGULAR ±3'



DESING	Steven	DATE	2008.08.26	TITLE: 3 Pin 3.00mm Pitch Battery SMT TYPE Without Post				
CHECKED	Jeff	DATE	2008.08.26					
APPROVED	Junly	DATE	2008.08.26					
PART NO:	BA0330540-1208-C		REV:	01	SCALE:	1:1	UNIT:	mm
DRAWING NO:	BA0330540-1208-C		SIZE:	A4	SHEET:	1/1		