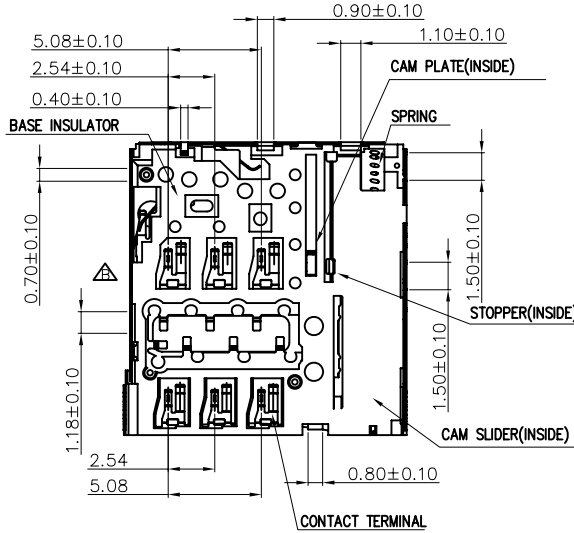
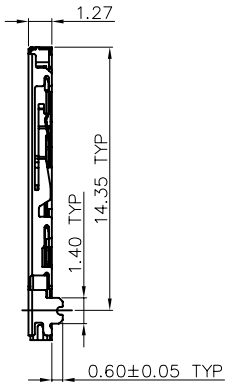
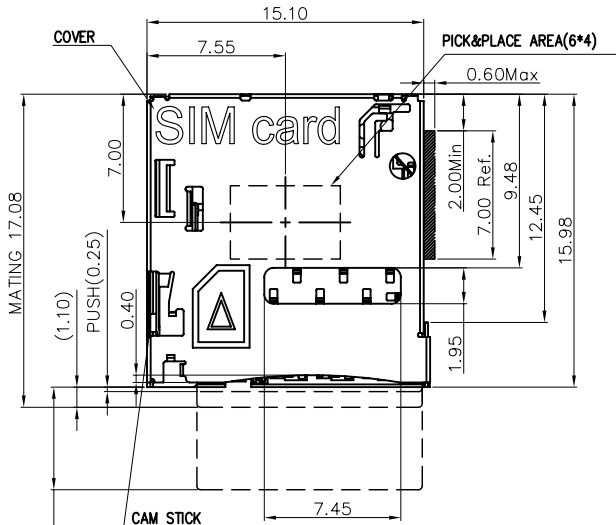
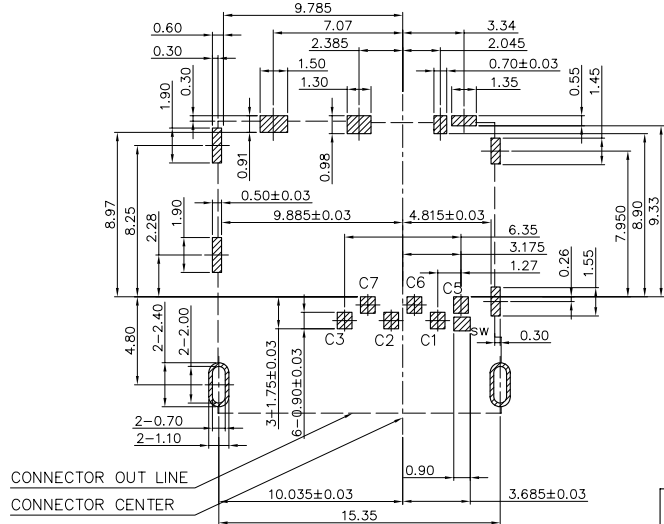
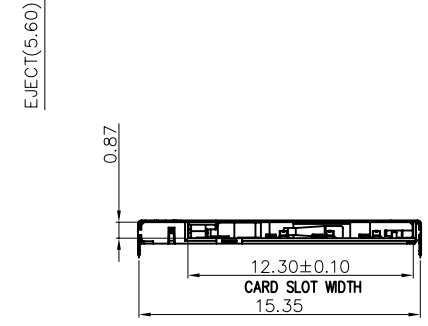
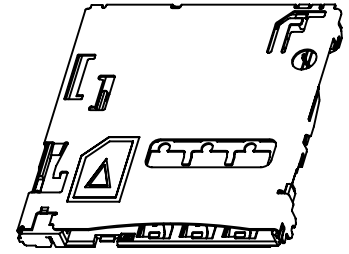


RoHS

REV.	LOCAS.	DESCRIPTION	DRAW.	DATE.
A	NEW	INITIAL RELEASE	Cecil_Zhou	2013.10.31
B		THE TERMINAL CHANGED	Jeff_Zhao	2015.11.22



- NOTES:
- MATERIAL&FINISH: SEE TABLE
  - SPECIALITY:
    - CURRENT RATING: 0.5A
    - VOLTAGE RATING: 10V
    - CONTACT RESISTANCE: 150mΩ MAX
    - INSULATION RESISTANCE: 1000MΩ MIN 500V DC
    - DIELECTRIC WITHSTANDING VOLTAGE: 500V AC.
    - SOLDER ABILITY: 260±5°C, 5±0.5S.
    - DURABILITY: 1500 CYCLES MIN.
    - OPERATING CONDITION: TEMPERATURE -30°C+85°C



RECOMMENDED PCB LAYOUT (TOP VIEW)

DEFAULT TOLERANCE: ±0.05

TABLE

DESCRIPTION	MATERIAL	FINISH
COVER	STAINLESS STEEL	NOT HOLD DOWN: Ni HOLD DOWN: Au FLASH OVER Ni
CAM STICK	STAINLESS STEEL	
BASE INSULATOR	LCP BLACK	
CAM PLATE	CORSON ALLOY	Ni
CONTACT TERMINAL	CORSON ALLOY	CONTACT: Au OVER Ni LEAD: Au FLASH OVER Ni
SPRING	STAINLESS STEEL	
STOPPER	STAINLESS STEEL	
CAM SLIDER	LCP BLACK	

MEASURE POINT: □  
 QUADRANT POINT (QP)  
 TANGENCY POINT (TP)  
 INTERSECTION POINT (IP)



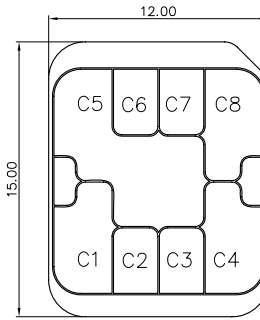
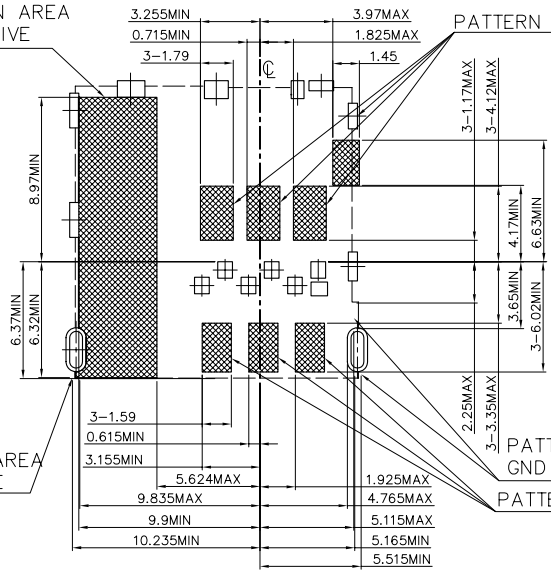
UNLESS OTHERWISE SPECIFIED, TOLERANCE:

X. ±0.25  
 X.x ±0.20  
 X.xx ±0.15  
 ANGULAR ±3°

DESIGN	Jeff	DATE	2015.11.22	TITLE:		
CHECKED		DATE		MICRO PUSH PUSH SIM CARD CONN		
APPROVED		DATE				
PART NO: SA127-S0001A			REV: B	SCALE: 5:2	UNIT: mm	
DRAWING NO: SA127-S0001A			SIZE: A4	SHEET: 1/2		

RoHS

PATTERN PROHIBITION AREA  
GND PAD IS PERMISSIVE



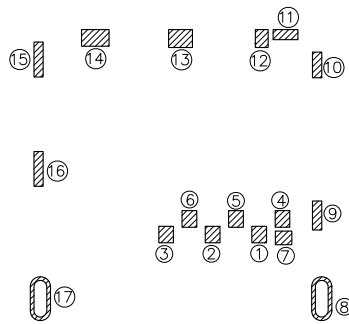
micro-SIM CARD PAD LAYOUT

PIN ASSIGNMENTS

No.	PIN NAME	DESCRIPTION
①	C1	V <sub>CC</sub> OF SIM
②	C2	RST OF SIM
③	C3	CLK OF SIM
④	C5	GND OF SIM
⑤	C6	V <sub>PP</sub> OF SIM
⑥	C7	I/O OF SIM
⑦	SW	DETECTION SWITCH
⑧~⑰	GND	SHELL GROUND

PATTERN PROHIBITION AREA  
GND PAD IS PERMISSIVE

PATTERN PROHIBITION AREA  
GND PAD IS PERMISSIVE



MEASURE POINT:  
 QUADRANT POINT (QP)  
 TANGENCY POINT (TP)  
 INTERSECTION POINT (IP)



UNLESS OTHERWISE  
 SPECIFIED, TOLERANCE:  
 X. ±0.25  
 X.x ±0.20  
 X.xx ±0.15  
 ANGULAR ±3°

DESIGN	Jeff	DATE	2015.11.22	TITLE:		
CHECKED		DATE		MICRO PUSH PUSH SIM CARD CONN		
APPROVED		DATE				
PART NO: SA127-S0001A			REV: B	SCALE: 5:2	UNIT: mm	
DRAWING NO: SA127-S0001A			SIZE: A4	SHEET: 2/2		