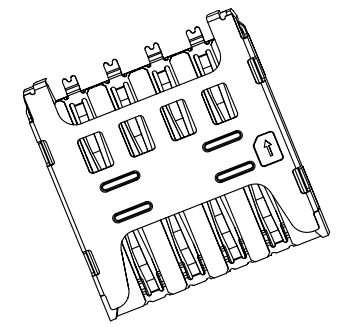
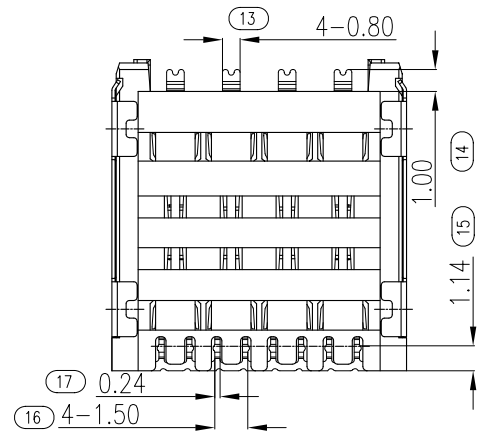
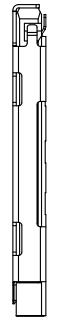
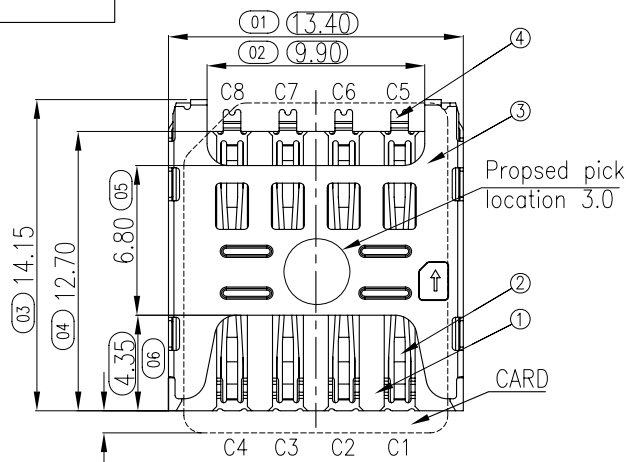


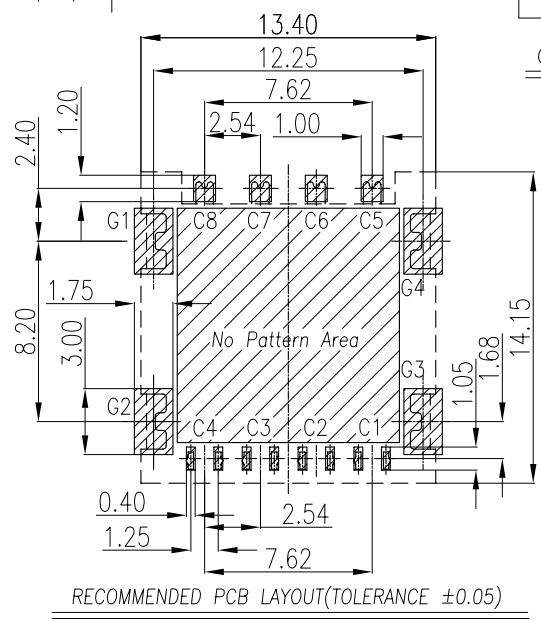
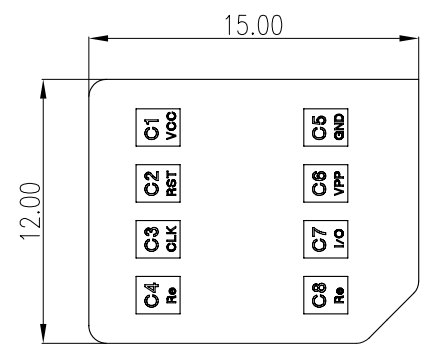
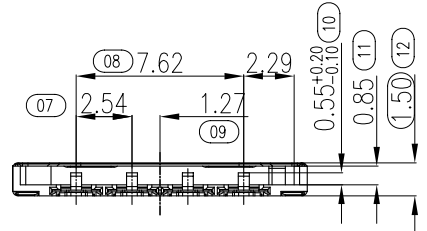
RoHS

REV.	LOCAS.	DESCRIPTION	DRAW.	DATE.
1	NEW	INITIAL RELEASE.	AARON	2015.12.11

A
B
C
D
E



- NOTES:
- MATERIAL:SEE TABLE
 - SPECIALITY:
 - Rated current:1.0A
 - Rated voltage:30V
 - Contact Resistance:50mΩ MAX
 - Insulation Resistance:1000MΩ MIN 500V DC
 - Dielectric withstanding voltage: 500V DC.
 - Solder ability:250±5°C, 10±0.5s.
 - Durability:3000 Cycles Min.Contact Resistance50mΩMax
 - Mating and Unmating force
Insertion Force 10N Max
Withdrawal Fore 10N Max
 - PLEASE CONTACT JITS SALES REPRESENTATIVE TO VERIFY PRODUCT DETAILS & AVAILABILITY



NO.	PART NAME	QUANTITY	MATEIAL	COLOR/PLATING
4	TERMINAL 2	4PCS	C5210R	CONTACT:1u" Au;solder:1u" Au;60u" Ni -PLATING
3	COVER	1PCS	SUS304	solder:1u" Au;30u" Ni PLATING
2	TERMINAL 1	4PCS	C5210R	CONTACT:1u" Au;solder:1u" Au;60u" Ni PLATING
1	HOUSING	1PCS	LCP	BLACK
NO.	PART NAME	QUANTITY	MATEIAL	COLOR/PLATING

PIN No.	DESCRIPTION
C1	VCC (SUPPLY VOLTAGE)
C2	RST (RESET SIGNAL)
C3	CLK (CLOCK SIGNAL)
C4	RESERVED
C5	GND
C6	VPP (VARIABLE SUPPLY VLOTAGE)
C7	I/O (DATA INPUT/OUTPUT)
C8	RESERVED
G1~G4	GND

MEASURE POINT: (QP)
 QUADRANT POINT (TP)
 TANGENCY POINT (IP)
 INTERSECTION POINT (IP)

UNLESS OTHERWISE SPECIFIED, TOLERANCE:
 X. ±0.25
 X.X ±0.20
 X.XX ±0.15
 ANGULAR ±3°

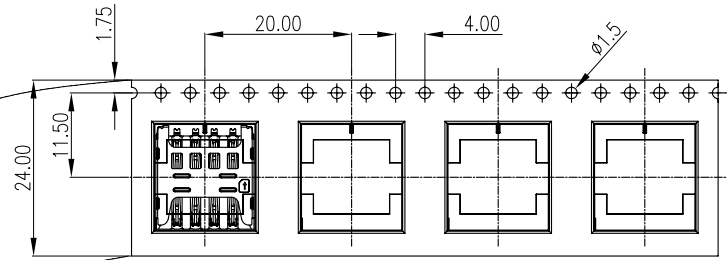
JITS TECHNOLOGY CO., LIMITED

DESING: [] DATE: [] TITLE: MICRO SIM CARD 8PIN
 CHECKED: [] DATE: [] H=1.50MM SMT E TYPE
 APPROVED: [] DATE: []

PART NO: SA150-K0807E REV: 1 SCALE: 1:1 UNIT: mm
 DRAWING NO: SA150-K0807E SIZE: A4 SHEET: 1/2

RoHS

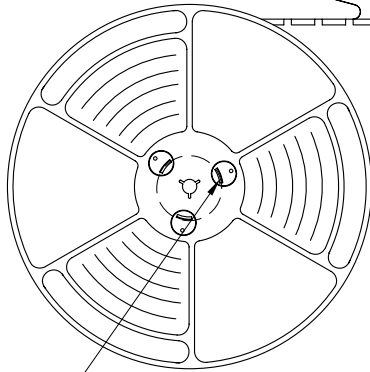
User Direction of Unreeling



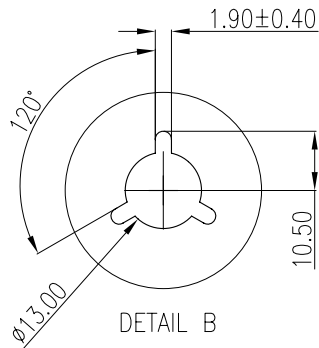
COVER TAPE PEELING ANGLE: 165°~180°
PEELING FORCE: 20~130g

CARRIER TAPE

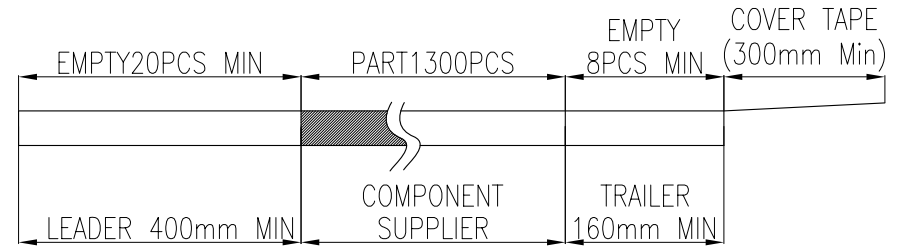
User Direction of Unreeling



DETAIL B



DETAIL B

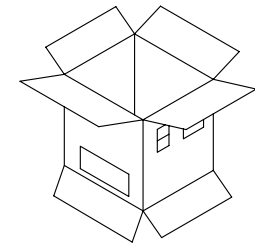
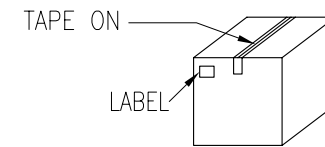
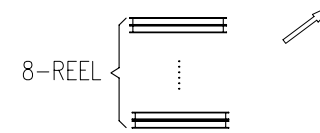


NOTES

1. NUMBER OF CONNECTORS: 1300PCS/REEL
2. LEAD TAPE LENGTH
3. QUANTITY: 10400PCS/CARTON
4. WEIGHT :
 - 3.1 NET WEIGHT : 3.33Kg
 - 3.2 GROSS WEIGHT : 6.55Kg

CARTON
335*335*255 K=K

4-TRIANGLE PARTITION
380*235*5 K3K



MEASURE POINT:
QUADRANT POINT (QP)
TANGENCY POINT (TP)
INTERSECTION POINT (IP)

JTS JITS
TECHNOLOGY CO., LIMITED

UNLESS OTHERWISE SPECIFIED, TOLERANCE:
X. ±0.25
X.X ±0.20
X.XX ±0.15
ANGULAR ±3°

DESIGN	DATE	TITLE: MICRO SIM CARD 8PIN H=1.50MM SMT E TYPE	
CHECKED	DATE		
APPROVED	DATE		
PART NO: SA150-K0807E	REV: 1	SCALE: 1:1	UNIT: mm
DRAWING NO: SA150-K0807E	SIZE: A4	SHEET: 2/2	