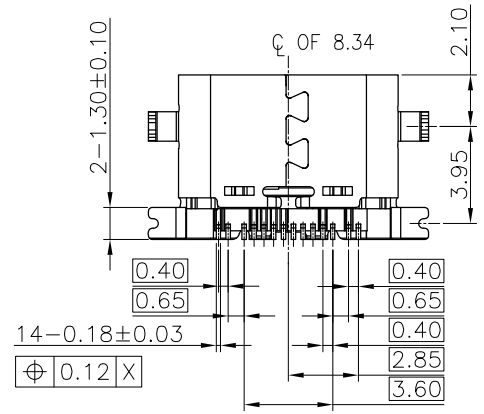
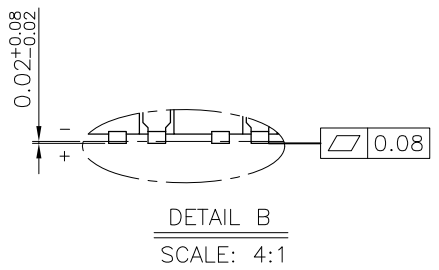
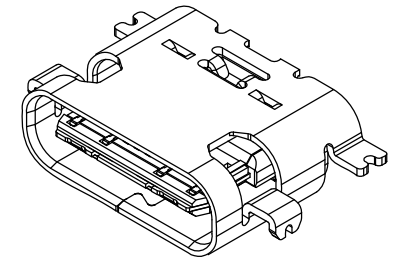
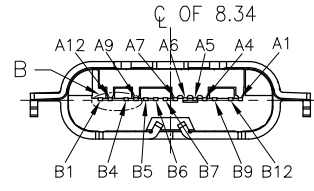
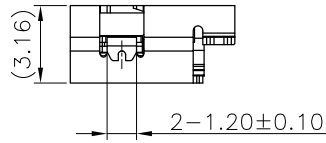
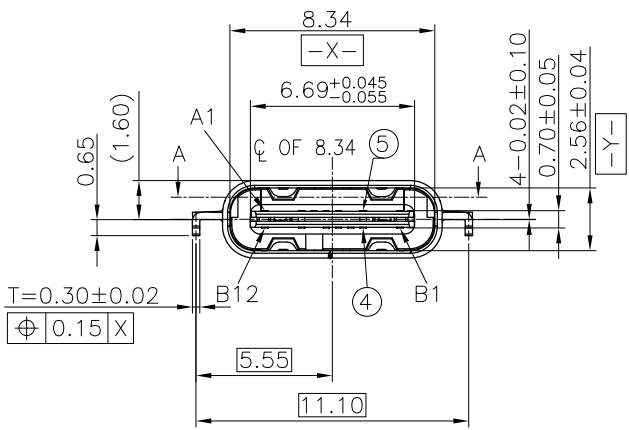
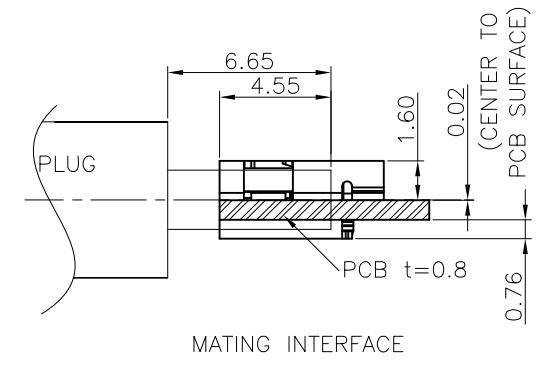
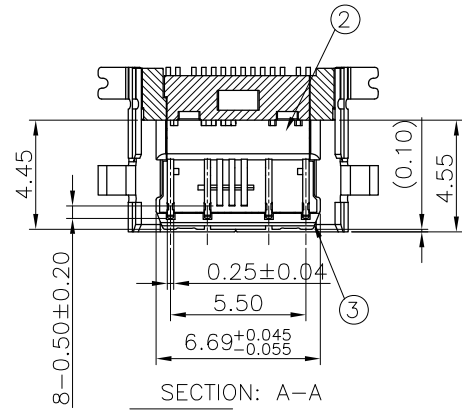
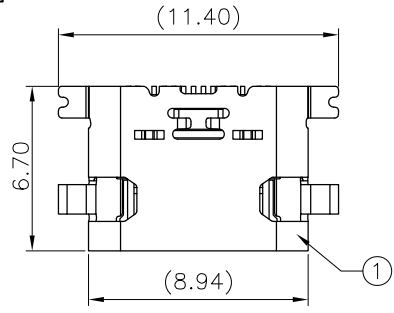


RoHS

REV.	LOCAS.	DESCRIPTION	DRAW.	DATE.
A	New	INITIAL RELEASE	Jeff	2016.03.11



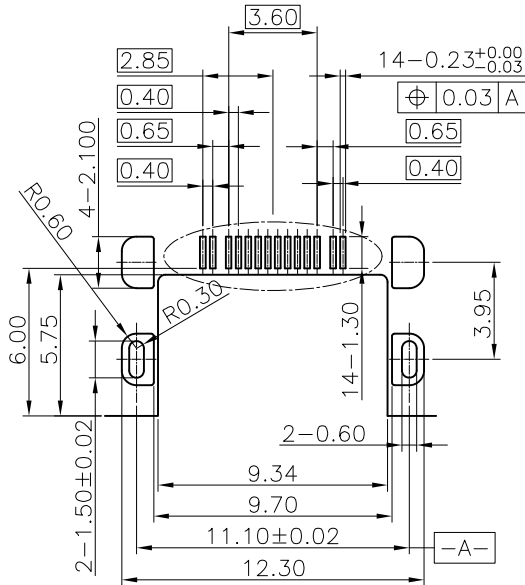
MEASURE POINT: QP
 QUADRANT POINT: QP
 TANGENCY POINT: TP
 INTERSECTION POINT: IP

UNLESS OTHERWISE SPECIFIED, TOLERANCE:
 X. ±0.25
 X.x ±0.20
 X.xx ±0.15
 ANGULAR ±3°

JTS JITS TECHNOLOGY CO., LIMITED

DESIGN	Jeff	DATE	2016.03.11	TITLE:	USB2.0 TYPE-C RECEPTACLE 14Pins SINK CH=0.02mm L=6.70mm 2DIP 2SMT TYPE		
CHECKED		DATE					
APPROVED		DATE					
PART NO:	UA160-K1402A	REV:	A	SCALE:	1:1	UNIT:	mm
DRAWING NO:	UA160-K1402A	SIZE:	A4	SHEET:	1/3		

RoHS

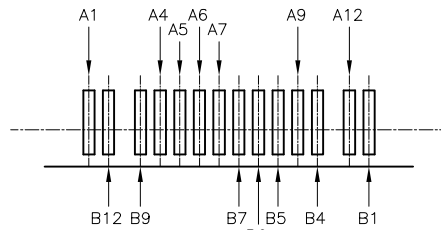


RECOMMENDED PCB LAYOUT
GENERAL TOLERANCE ±0.05

NOTES :

1. ELECTRICAL :
 - 1-1. CONTACT CURRENT RATING :
 - 5.0A FOR VBUS AND GND.(i.e.,Pins A4,A9,B4,B9)
 - 1.25A FOR Vconn AND GND.(i.e.,Pins B5,A1,A12,B1,B12)
 - 0.25A FOR ALL THE OTHERS CONTACTS.
 - 1-2. INSULATION RESISTANCE :
 - 100 MEGAOHMS MIN. AT 250VDC.
 - 1-3. DIELECTRIC WITHSTANDING VOLTAGE :100VAC MIN.
 - 1-4. LOW LEVEL CONTACT RESISTANCE :
 - INITIAL 40mΩ MAX. AFTER 50mΩ MAX.
- 2.MECHANICAL CHARACTERISTICS :
 - 2-1.INSERTION FORCE : 5N~20N .
 - 2-2.EXTRACTION FORCE :
 - 8N~20N FROM 1 TO 1000 CYCLES
 - 6~20N FROM 1001 TO 10000 CYCLE.
 - 2-3.DURABILITY : 10,000 MATING CYCLES.
 - 2-4.OPERATING TEMPERATURE : -55°C TO +85°C
3. Coplanarity : 0.08Max.

PIN	SIGNAL NAME	PIN	SIGNAL NAME
A1	GND	B12	GND
A2		B11	
A3		B10	
A4	VBUS	B9	VBUS
A5	CC1	B8	
A6	Dp1	B7	Dn2
A7	Dn1	B6	Dp2
A8		B5	CC2
A9	VBUS	B4	VBUS
A10		B3	
A11		B2	
A12	GND	B1	GND



DETAIL A
SCALE: 2:1

⑤	TOP CONTACT	COPPER ALLOY	50u" MIN. Ni UNDER PLATING. 80u" MIN. MATTE TIN PLATING ON SOLDER AREA.
④	BOTTOM CONTACT	COPPER ALLOY	AU PLATING ON CONTACT AREA.(SEE NOTES 4.)
③	Mid-PLATE	STAINLESS	50u" MIN. SOLDERABLE Ni PLATING OVERALL.
②	Insert HOUSING	LCP	UL94V-0
①	SHELL	STAINLESS	50u" MIN. SOLDERABLE Ni PLATING OVERALL.
ITEM	PART NAME	MATERIAL	REMARK

MEASURE POINT:
QUADRANT POINT (QP)
TANGENCY POINT (TP)
INTERSECTION POINT (IP)

JTS JITS
TECHNOLOGY CO., LIMITED

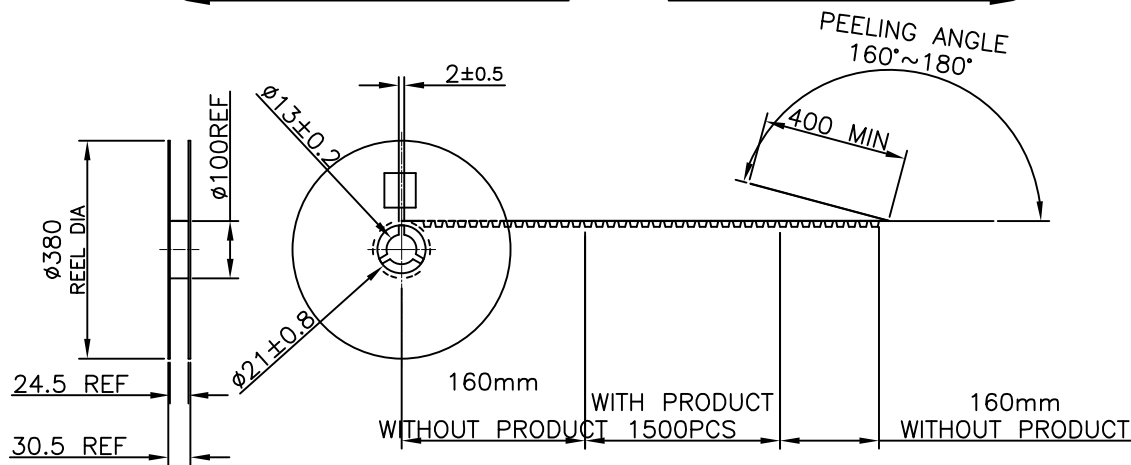
UNLESS OTHERWISE SPECIFIED, TOLERANCE:
X. ±0.25
X.x ±0.20
X.xx ±0.15
ANGULAR ±3'

DESIGN	Jeff	DATE	2016.03.11	TITLE:	USB2.0 TYPE-C RECEPTACLE 14Pins SINK CH=0.02mm L=6.70mm 2DIP 2SMT TYPE		
CHECKED		DATE		APPROVED		DATE	
PART NO:		UA160-K1402A		REV:	A	SCALE:	1:1
DRAWING NO:		UA160-K1402A		SIZE:	A4	SHEET:	2/3
				UNIT:	mm		

RoHS

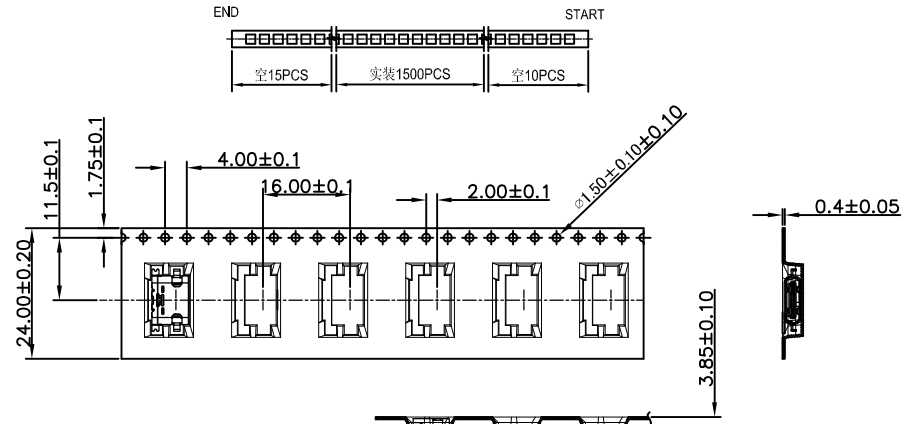
GATHER MATERIAL DIRECTION

INPUT MATERIAL DIRECTION

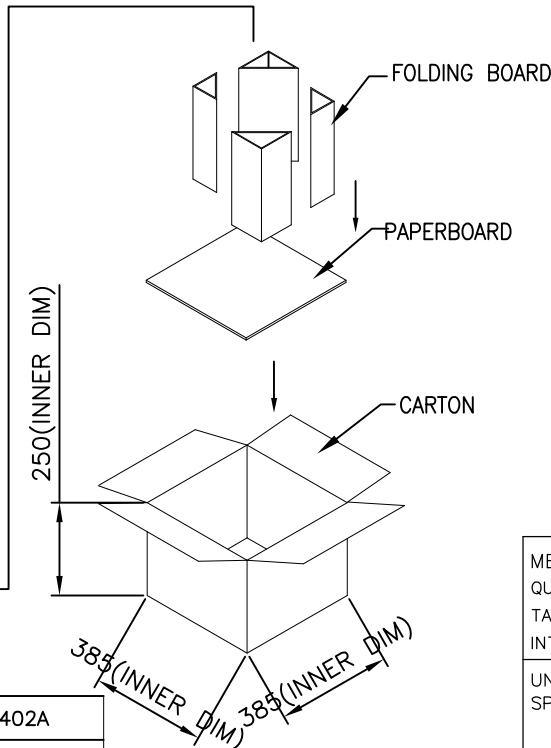
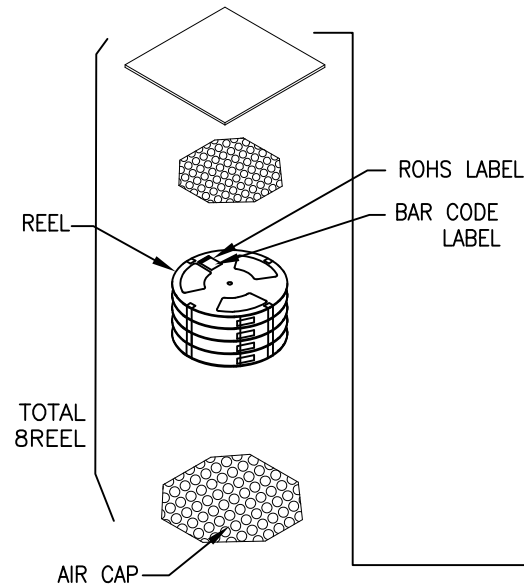


GATHER MATERIAL DIRECTION

INPUT MATERIAL DIRECTION



REEL WIDTH



NOTES : (FOR REEL)

PACKAGING MATERIAL IN PLASTIC, RUBBER, INK, PIGMENT AND PAINT MUST MEET CONTROLLED SUBSTANCES SPEC PER 230-702.

* CADMIUM AND CADMIUM COMPOUNDS NOT TO EXCEED: 5 PPM.

* LEAD, CADMIUM, CHROM VI AND MERCURY NOT TO EXCEED: 100 PPM (COMBINED).

* CARRIER TAPES, COVER TAPES, REELS AND TAPED COMPONENTS MUST MEET THE REQUIREMENTS DEFINED PER EIA-481-B.

1. MATERIAL :

COVER TAPE : ANTISTATIC P.S T=0.05±0.01 ,COLOR: :CLEAR
CARRIER TAPE : ANTISTATIC P.S T=0.40mm ±0.05 ,
REEL : PS UL94V-0
SHIPPING BOX: CORRUGATED FIBER

2. DIMENSION :

REEL : SEE DRAWING
BOX : SEE DRAWING

3. QUANTITY : SEE TABLE

4. WEIGHT : SEE TABLE

5. PEELING RESISTANCE : 10gf~130gf (for 12~56mm)

6. PEELING SPEED : 300mm/MINUTES

1500	8	12000	UA160-K1402A
PCS/ REEL	REEL/ BOX	PCS/ BOX	PART NUMBER

MEASURE POINT:
QUADRANT POINT (QP)
TANGENCY POINT (TP)
INTERSECTION POINT (IP)

UNLESS OTHERWISE SPECIFIED, TOLERANCE:
X. ±0.25
X.x ±0.20
X.xx ±0.15
ANGULAR ±3'

JTS JITS TECHNOLOGY CO., LIMITED

DESING	Jeff	DATE	2016.03.11	TITLE:	USB2.0 TYPE-C RECEPTACLE 14Pins SINK CH=0.02mm L=6.70mm 2DIP 2SMT TYPE			
CHECKED		DATE						
APPROVED		DATE						
PART NO:	UA160-K1402A		REV:	A	SCALE:	1:1	UNIT:	mm
DRAWING NO:	UA160-K1402A		SIZE:	A4	SHEET:	3/3		