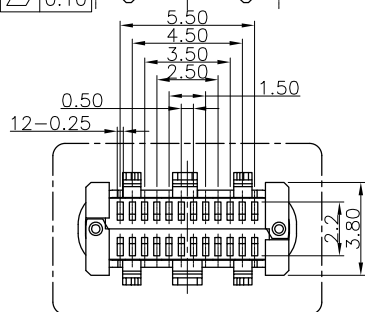
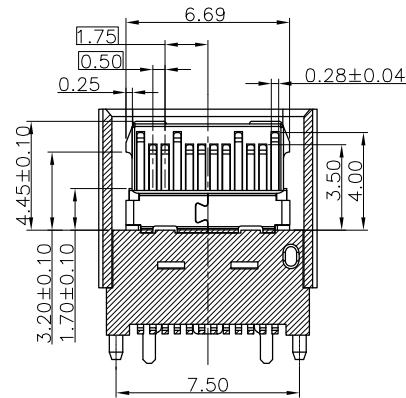
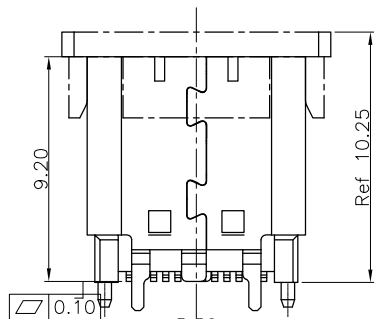
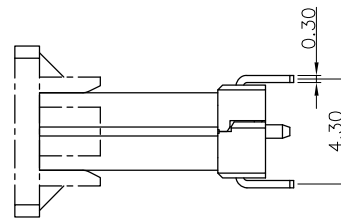
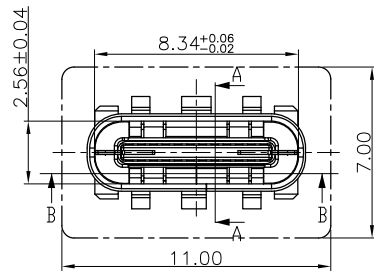
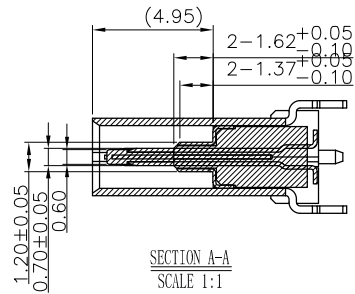
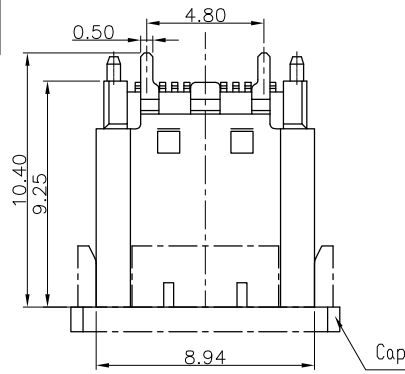


RoHS

REV.	LOCAS.	DESCRIPTION	DRAW.	DATE.
A	NEW	INITIAL RELEASE.	Sam	2015.08.27



NOTES:

- MATERIAL:
 - MOLDING: LCP UL94 V-0
 - CONTACT: COPPER ALLOY.
 - GOLD PLATED ON CONTACT AREA, 100u"
 - Min TIN (LEAD FREE) ON SOLDER AREA,
 - SHELL: SUS304-H, T=0.30±0.03mm
 - 50u" NICKEL PLATING OVER ALL.
 - SHILD: SUS304-H, T=0.12±0.03mm
- MECHANICAL:
 - INSERTION: 5~20N.
 - EXTRACTION: 8~20N.
 - DURABILITY: 10000 CYCLES
- ELECTRICAL:
 - CURRENT: 5A MIN FOR VBUS;
 - 0.25A MIN FOR OTHER.
 - VOLTAGE: 5VAC MAX
 - WITHSTANDING VOLTAGE: 100V AC.
 - CONTACT RESISTANCE: 40mΩ MAX.
 - INSULATION RESISTANCE: 100MΩ MIN.
- ENVIRONMENTAL
 - TEMPERATURE RANGE -55°C ~ +85°C

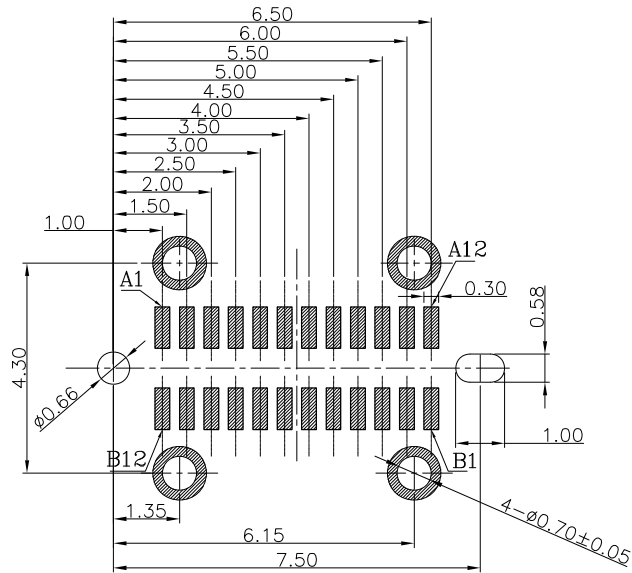
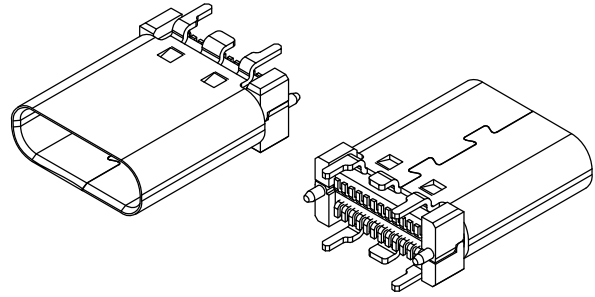
MEASURE POINT:
 QUADRANT POINT (QP)
 TANGENCY POINT (TP)
 INTERSECTION POINT (IP)



UNLESS OTHERWISE SPECIFIED, TOLERANCE:
 X. ±0.25
 X.x ±0.20
 X.xx ±0.15
 ANGULAR ±3°

DESING	Sam	DATE	2015.08.27	TITLE:	USB 3.1 TYPE C FEMALE STRAIGHT CONNECTOR 9.25 HEIGHT		
CHECKED	Nick.F.H	DATE	2015.08.27				
APPROVED	HaiYong.Luo	DATE	2015.08.27				
PART NO:	UA925-1D2401A	REV:	A	SCALE:	1:1	UNIT:	mm
DRAWING NO:	UA925-1D2401A	SIZE:	A4	SHEET:	1/4		

RoHS



RECOMMENDED P.C.B. LAYOUT (T:1.00mm)
 TOLERANCE UNSPECIFIED ±0.05mm
 SCALE: 2:1

USB TYPE-C FULL-FEATURED RECEPTACLE INTERFACE PIN ASSIGNMENTS

PIN	Signal Name	Description	PIN	Signal Name	Description
A1	GND	Ground return	B12	GND	Ground return
A2	SSTXp1	Positive half of first SuperSpeed TX differential pair	B11	SSTXp1	Positive half of first SuperSpeed TX differential pair
A3	SSTXn1	Negative half of first SuperSpeed TX differential pair	B10	SSTXn1	Negative half of first SuperSpeed TX differential pair
A4	VBUS	Bus Power	B9	VBUS	Bus Power
A5	CC1	Configuration Channel	B8	CC1	Configuration Channel
A6	Dp1	Positive half of the USB 2.0 differential pair-Position 1	B7	Dp1	Positive half of the USB 2.0 differential pair-Position 1
A7	Dn1	Negative half of the USB 2.0 differential pair-Position 1	B6	Dn1	Negative half of the USB 2.0 differential pair-Position 1
A8	RFU1	Reserved for Future Use (RFU)	B5	RFU1	Reserved for Future Use (RFU)
A9	VBUS	Bus Power	B4	VBUS	Bus Power
A10	SSRXn2	Negative half of second SuperSpeed RX differential pair	B3	SSRXn2	Negative half of second SuperSpeed RX differential pair
A11	SSRXp2	Positive half of second SuperSpeed RX differential pair	B2	SSRXp2	Positive half of second SuperSpeed RX differential pair
A12	GND	Ground return	B1	GND	Ground return

MEASURE POINT: (QP)
 QUADRANT POINT (QP)
 TANGENCY POINT (TP)
 INTERSECTION POINT (IP)

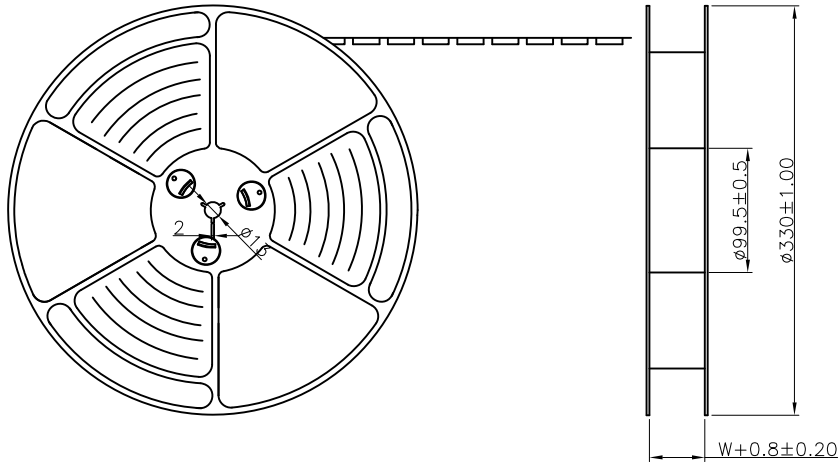


UNLESS OTHERWISE SPECIFIED, TOLERANCE:
 X. ±0.25
 X.x ±0.20
 X.xx ±0.15
 ANGULAR ±3°

DESIGN	Sam	DATE	2015.08.27	TITLE:	USB 3.1 TYPE C FEMALE STRAIGHT CONNECTOR 9.25 HEIGHT
CHECKED	Nick.F.H	DATE	2015.08.27	REV: A	
APPROVED	HaiYong.Luo	DATE	2015.08.27	SCALE: 1:1	
PART NO:	UA925-1D2401A	UNIT:	mm	SIZE: A4	SHEET: 2/4
DRAWING NO:	UA925-1D2401A				

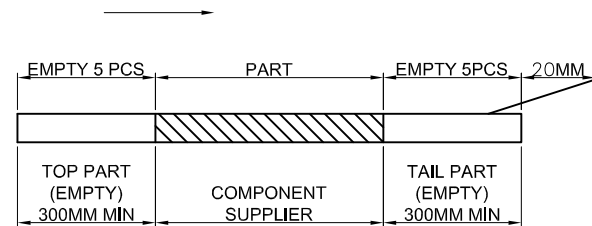
RoHS

出料方向
PULL OUT DIRECTEON

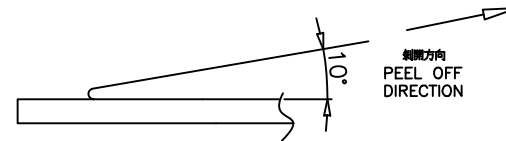


NOTES

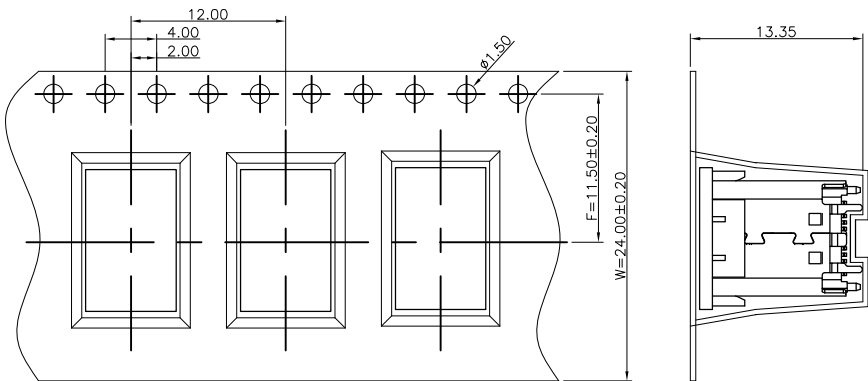
1.帶子引導長度
LEAD TAPE LENGTH
出料方向
PULL OUT DIRECTEON



2.上帶 剝力力為：0.1~1.3N(10.2gf~130gf)
PEELING OFF FORCE OF TOP TAPE:0.1~1.3N(10.2gf~130gf)
出貨運輸過程中一定注意：
THIS REQUIREMENT SHOULD BE APPLIED AT SHIPMENT：
卷帶在運輸過程中不能散開
PEELING OFF SHOULD NOT BE ALLOWED DURING TRANSPORTATION



→



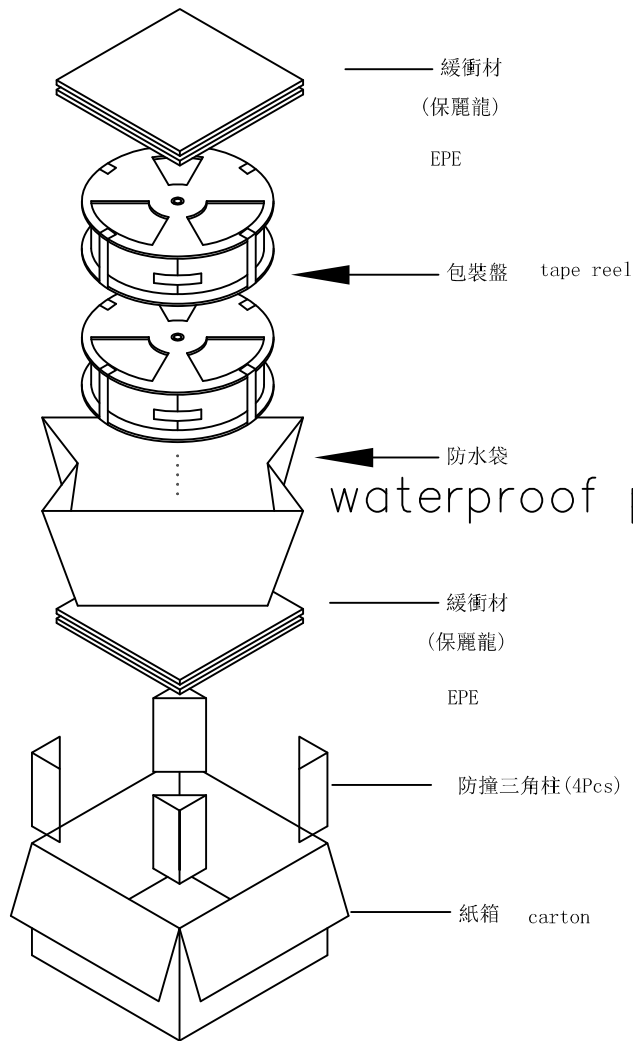
MEASURE POINT:
QUADRANT POINT (QP)
TANGENCY POINT (TP)
INTERSECTION POINT (IP)

JTS JITS
TECHNOLOGY CO., LIMITED

UNLESS OTHERWISE SPECIFIED, TOLERANCE:
X. ±0.25
X.x ±0.20
X.xx ±0.15
ANGULAR ±3'

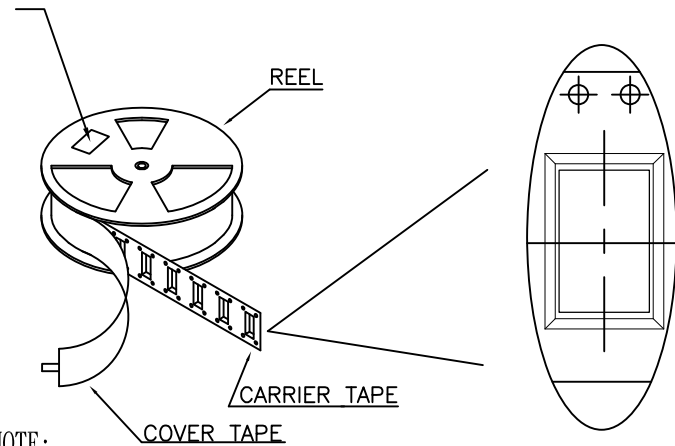
DESING	Sam	DATE	2015.08.27	TITLE:			
CHECKED	Nick.F.H	DATE	2015.08.27	USB 3.1 TYPE C FEMALE STRAIGHT CONNECTOR 9.25 HEIGHT			
APPROVED	HaiYong.Luo	DATE	2015.08.27				
PART NO:	UA925-1D2401A	REV:	A	SCALE:	1:1	UNIT:	mm
DRAWING NO:	UA925-1D2401A	SIZE:	A4	SHEET:	3/4		

RoHS



at small positioning hole of the carrier tape side).
 標籤黏貼處 (朝捲裝包材的小定位孔一側)

Location of label sticking (label)



NOTE:

1. 每捲包裝數量及每箱裝箱數量如左下表格。
Packing q'ty of each reel & carton as below table shown.
2. 以上膠帶覆蓋下包裝帶經包裝機熱熔包裝
Use cover tape to cover and hot melt machine to seal up.
3. 每個紙箱放2個珍珠棉
Every carton use 2pcs EPE.
4. 將裝滿產品的卷盤放入紙箱并以膠帶封口
Put reels in the carton and use adhesive tape to seal up.

MEASURE POINT:
 QUADRANT POINT (QP)
 TANGENCY POINT (TP)
 INTERSECTION POINT (IP)

UNLESS OTHERWISE SPECIFIED, TOLERANCE:
 X. ±0.25
 X.x ±0.20
 X.xx ±0.15
 ANGULAR ±3°

JTS JITS TECHNOLOGY CO., LIMITED

DESING	Sam	DATE	2015.08.27	TITLE:	USB 3.1 TYPE C FEMALE STRAIGHT CONNECTOR 9.25 HEIGHT		
CHECKED	Nick.F.H	DATE	2015.08.27				
APPROVED	HaiYong.Luo	DATE	2015.08.27				
PART NO:	UA925-1D2401A		REV:	A	SCALE:	1:1	UNIT: mm
DRAWING NO:	UA925-1D2401A		SIZE:	A4	SHEET:	4/4	

產品料號 (PRODUCT No.)	包裝容量 (PACKING CAPACITY)			重量 WEIGHT (Kg)		
	PCS/REEL	REELS/CARTON	PCS/CARTON	N.W./PCS	N.W./BOX	G.W./BOX
	400	7	2800			