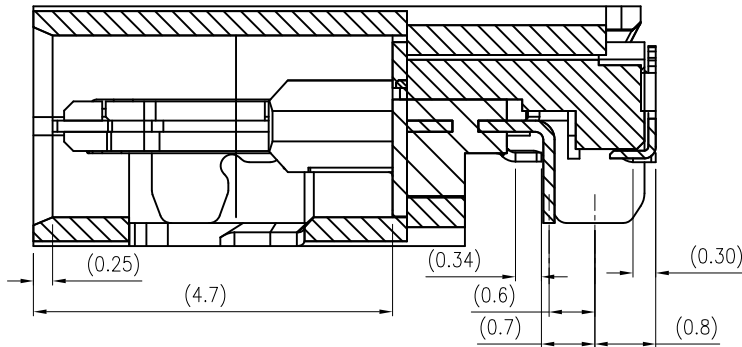
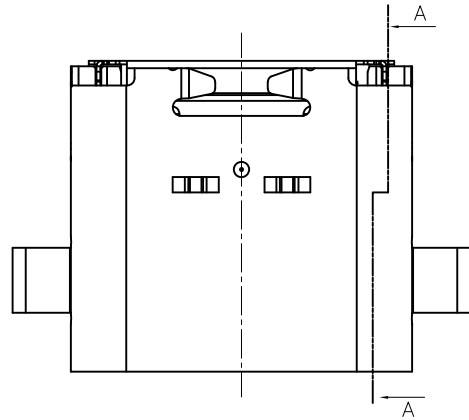
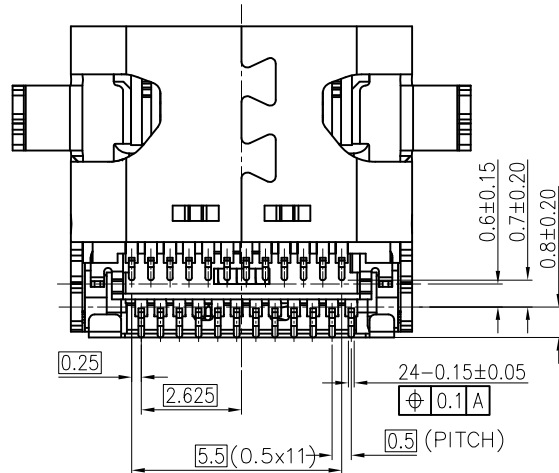
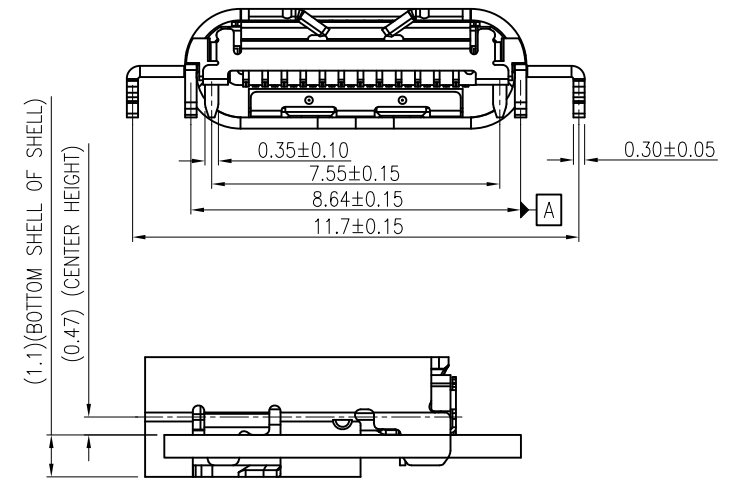
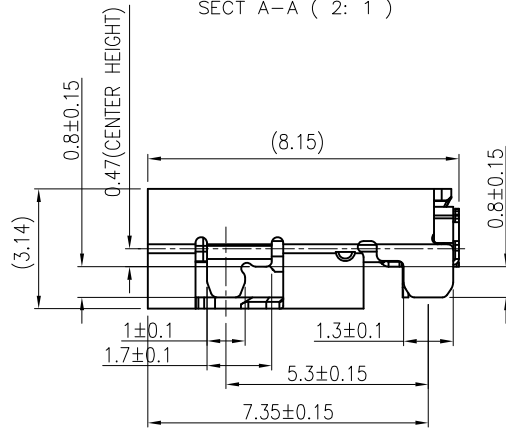
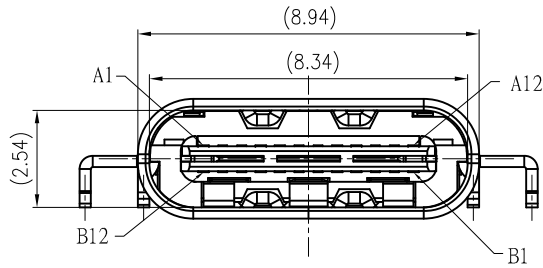


RoHS

REV.	LOCAS.	DESCRIPTION	DRAW.	DATE.
A	NEW	INITIAL RELEASE.	Sam	2015.09.27



SECT A-A ( 2 : 1 )



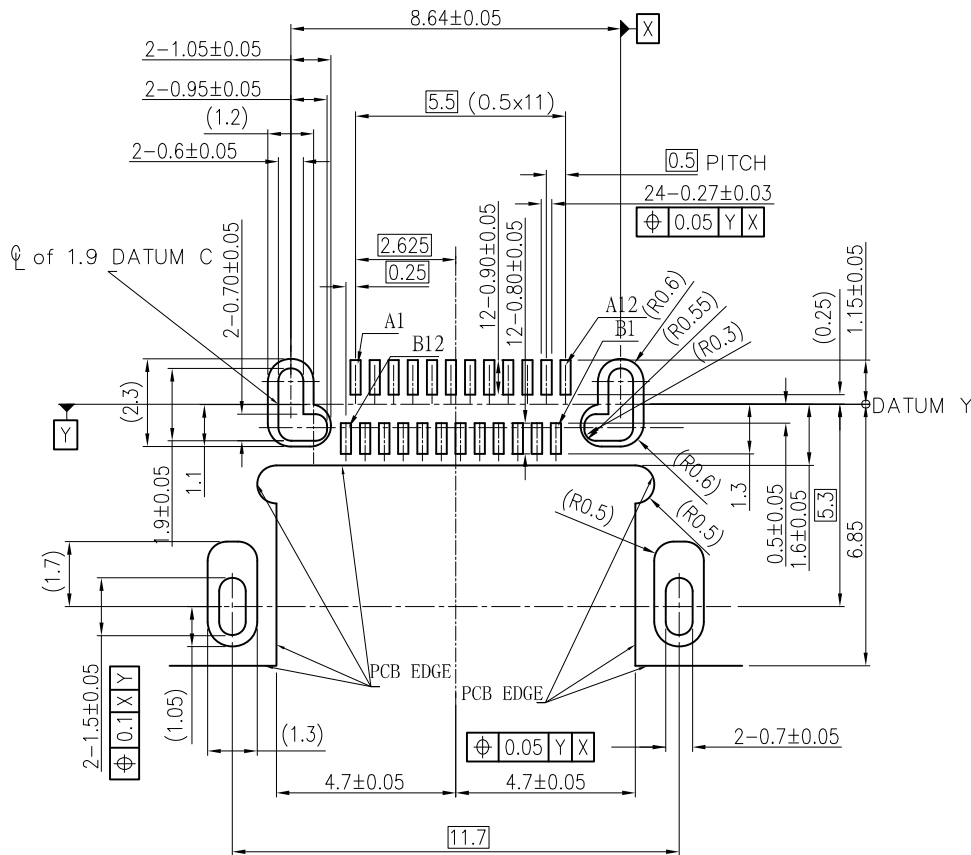
MEASURE POINT:  
 QUADRANT POINT (QP)  
 TANGENCY POINT (TP)  
 INTERSECTION POINT (IP)

**JITS** JITS  
 TECHNOLOGY CO., LIMITED

UNLESS OTHERWISE SPECIFIED, TOLERANCE:  
 X. ±0.25  
 X.x ±0.20  
 X.xx ±0.15  
 ANGULAR ±3°

DESING	Sam	DATE	2015.09.27	TITLE:	USB 3.1 TYPE C REC CONNECTOR		
CHECKED	Nick.F.H	DATE	2015.09.27		Mid-Mount CH=0.47mm DualSMT		
APPROVED	HaiYong.Luo	DATE	2015.09.27				
PART NO:	UA179-1D2401A	REV:	A	SCALE:	1:1	UNIT:	mm
DRAWING NO:	UA179-1D2401A	SIZE:	A4	SHEET:	1/3		

RoHS



RECOMMENDED PCB LAYOUT

NOTES :

1. ELECTRICAL :
  - 1-1. CONTACT CURRENT RATING :  
5.0A FOR VBUS AND GND.  
(i.e., Pins A4,A9,B4,B9)  
1.25A FOR Vconn AND GND.  
(i.e., Pins B5,A1,A12,B1,B12)  
0.25A FOR ALL THE OTHERS CONTACTS.
  - 1-2. INSULATION RESISTANCE :  
100 MEGAOHMS MIN. AT 250VDC.
  - 1-3. DIELECTRIC WITHSTANDING VOLTAGE :  
100VAC MIN.
  - 1-4. LOW LEVEL CONTACT RESISTANCE :  
INITIAL 40mΩ MAX.  
AFTER 50mΩ MAX.
2. MECHANICAL CHARACTERISTICS :
  - 2-1. INSERTION FORCE :  
5N~20N .
  - 2-2. EXTRACTION FORCE :  
8N~20N .
  - 2-3. DURABILITY :  
10,000 MATING CYCLES.
  - 2-4. OPERATING TEMPERATURE :  
-55? TO +85?
3. REFLOW SOLDER CAPABLE TO 260? 10 SECS.
4. PART NUMBER INFORMATION:

MEASURE POINT:  
 QUADRANT POINT (QP)  
 TANGENCY POINT (TP)  
 INTERSECTION POINT (IP)



UNLESS OTHERWISE SPECIFIED, TOLERANCE:  
 X. ±0.25  
 X.x ±0.20  
 X.xx ±0.15  
 ANGULAR ±3°

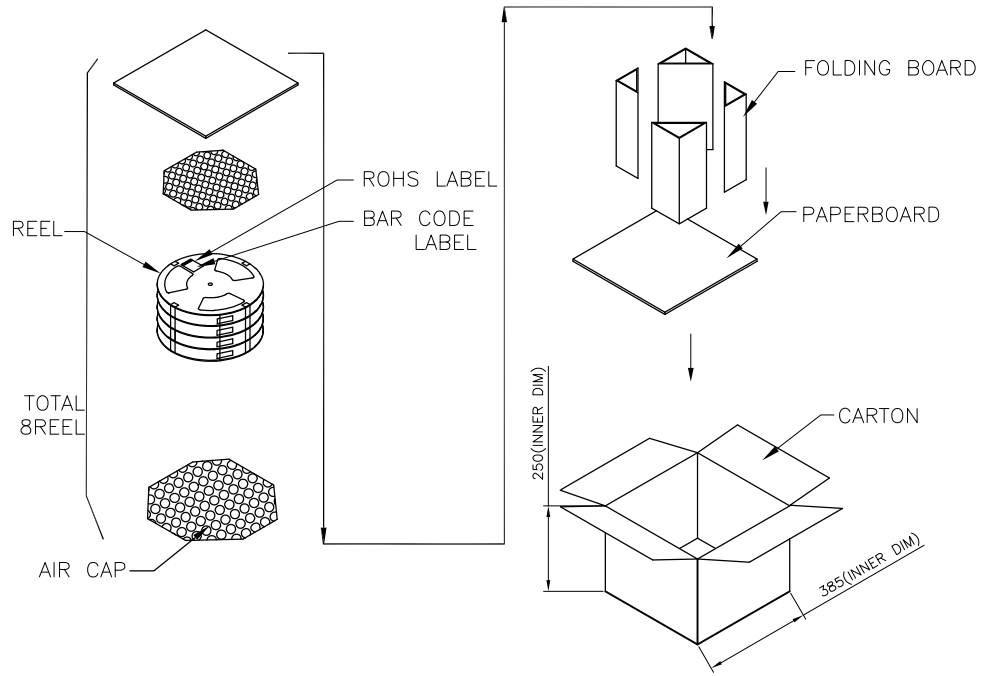
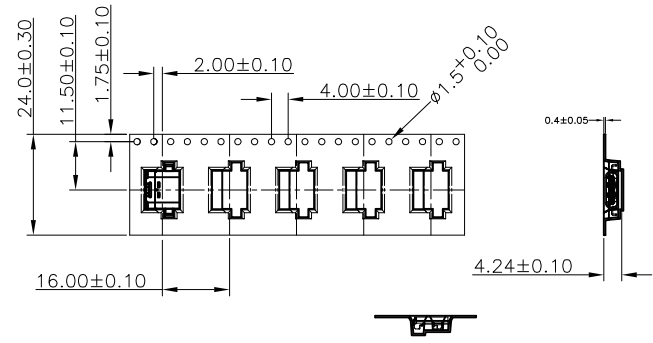
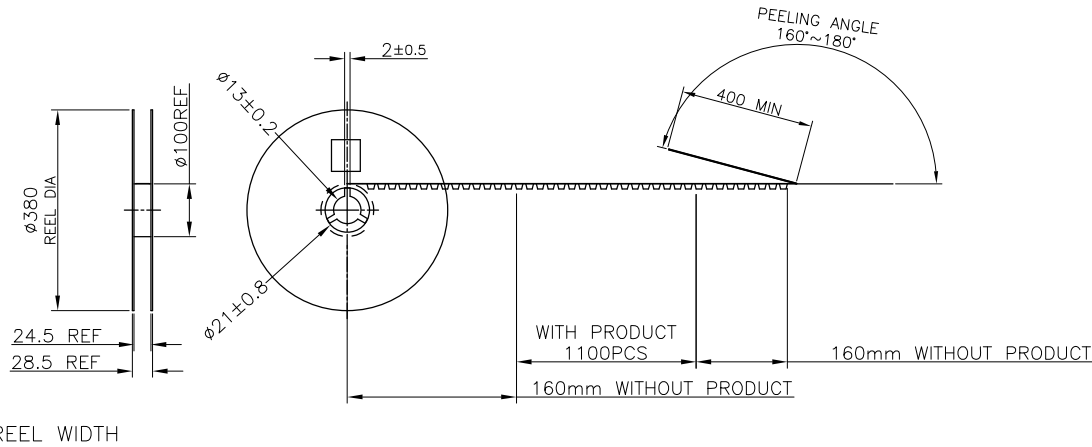
DESIGN	Sam	DATE	2015.09.27	TITLE:	USB 3.1 TYPE C REC CONNECTOR Mid-Mount CH=0.47mm DualSMT			
CHECKED	Nick.F.H	DATE	2015.09.27					
APPROVED	HaiYong.Luo	DATE	2015.09.27					
PART NO:	UA179-1D2401A		REV:	A	SCALE:	1:1	UNIT:	mm
DRAWING NO:	UA179-1D2401A		SIZE:	A4	SHEET:	2/3		

RoHS

PULL OUT DIRECTION

GATHER MATERIAL DIRECTION

INPUT MATERIAL DIRECTION



NOTES :(FOR REEL)  
 PRODUCT MUST MEET CONTROLLED SUBSTANCES SPEC. ROHS 2.0  
 PACKAGING MATERIAL IN PLASTIC, RUBBER, INK, PIGMENT AND PAINT  
 MUST MEET CONTROLLED SUBSTANCES SPEC PER 230-702.  
 \* CADMIUM AND CADMIUM COMPOUNDS NOT TO EXCEED: 5 PPM.  
 \* LEAD, CADMIUM, CHROM VI AND MERCURY NOT TO EXCEED: 100 PPM (COMBINED).  
 \* CARRIER TAPES, COVER TAPES, REELS AND TAPED COMPONENTS MUST MEET THE  
 REQUIREMENTS DEFINED PER EIA-481-B.

- MATERIAL :  
 COVER TAPE : ANTISTATIC P.S T=0.05±0.01 ,COLOR: CLEAR  
 CARRIER TAPE : ANTISTATIC P.S T=0.40mm ±0.05 , COLOR: BLACK  
 REEL : PS UL94V-0  
 SHIPPING BOX: CORRUGATED FIBER
- DIMENSION :  
 REEL : SEE DRAWING  
 BOX : SEE DRAWING
- QUANTITY : SEE TABLE
- WEIGHT : SEE TABLE
- PEELING RESISTANCE : 10gf~130gf (for 12~56mm)
- PEELING SPEED : 300mm/MINUTES

1100	8	8800	UA179-1D2401A
PCS/ REEL	REEL/ BOX	PCS/ BOX	PART NUMBER

MEASURE POINT:  
 QUADRANT POINT (QP)  
 TANGENCY POINT (TP)  
 INTERSECTION POINT (IP)



UNLESS OTHERWISE SPECIFIED, TOLERANCE: X. ±0.25 X.x ±0.20 X.xx ±0.15 ANGULAR ±3'	DESING	Sam	DATE	2015.09.27	TITLE: USB 3.1 TYPE C REC CONNECTOR Mid-Mount CH=0.47mm DualSMT			
	CHECKED	Nick.F.H	DATE	2015.09.27				
	APPROVED	HaiYong.Luo	DATE	2015.09.27				
PART NO:	UA179-1D2401A		REV:	A	SCALE:	1:1	UNIT:	mm
DRAWING NO:	UA179-1D2401A		SIZE:	A4	SHEET:	3/3		