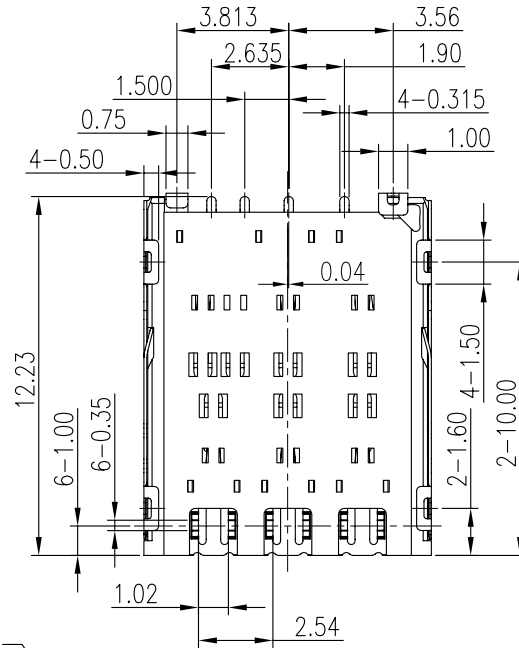
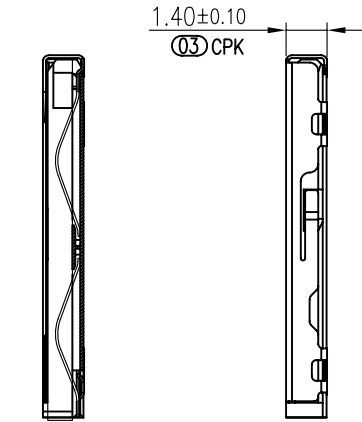
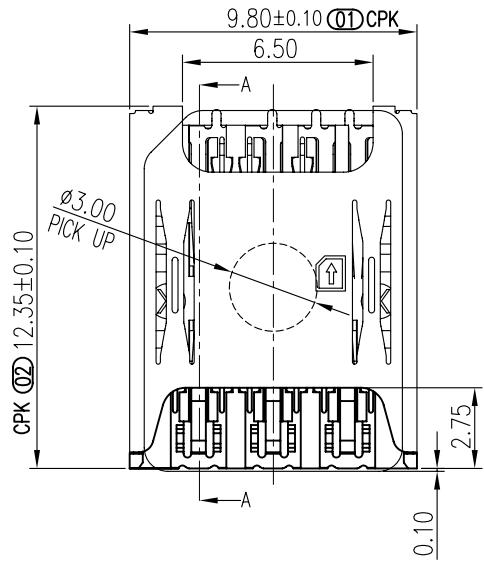
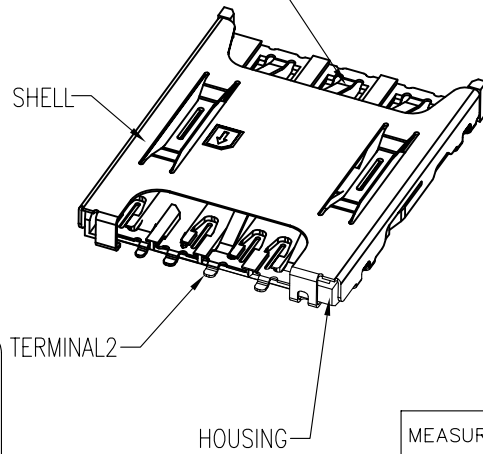
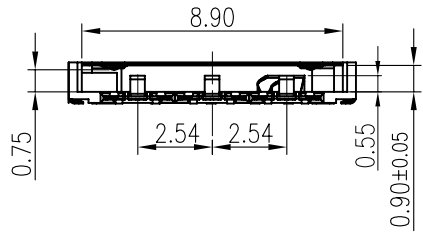


RoHS

REV.	LOCAS.	DESCRIPTION	DRAW	DATE.
A	NEW	INITIAL RELEASE.	FEI	2017.02.23
B	ECN-171107	HOUSING CHANGE.	FEI	2017.11.04



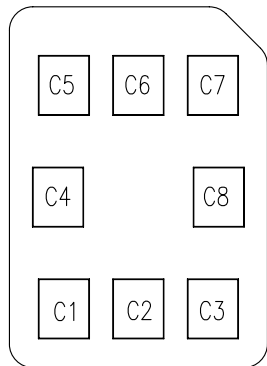
- NOTES:
- MATERIAL:SEE TABLE
 - SPECIALITY:
 - 2.1 Rated current: 0.5A Max
 - 2.2 Rated voltage: 30V AC
 - 2.3 Contact Resistance:100mohm MAX
 - 2.4 Insulation Resistance:1000Mohm MIN 500V DC
 - 2.5 Dielectric withstanding voltage: 500V AC/minute.
 - 2.6 Solder ability:250±5°C, 10±0.5s.
 - 2.7 Durability:5000 Cycles
 - 2.8 Mating and Unmating force
Insertion Force 10N Max
Withdrawal Fore 0.5N Min
 - 2.9 Operating condition:
Temperature-40°C~+85°C; Humidity 80% R.H MAX
 - COPLANARITY: BEFORE IR 0.08mm Max
AFTER IR 0.10 mm Max
 - PLEASE CONTACT JITS SALES REPRESENTATIVE TO VERIFY PRODUCT DETAILS & AVAILABILITY



受控文件
2017.11.15
文控中心

Nano SIM Circuit Description:

PIN No.	FUNCTION
C1	VCC
C2	RST
C3	CLK
C4	RESERVED
C5	GND
C6	VPP
C7	I/O
C8	RESERVED



4	TERMINAL2	1SET	C5210R-SH 1u ² Au Min ON CONTACT AREA
3	SHELL	1PCS	SUS304-3/4H GOLD FLASH ON SOLD AREA
2	TERMINAL1	1SET	C5210R-SH 1u ² Au Min ON CONTACT AREA
1	HOUSING	1PCS	LCP E6808 BLACK
NO.	PART NAME	QUANTITY	COLOR/MATEIAL

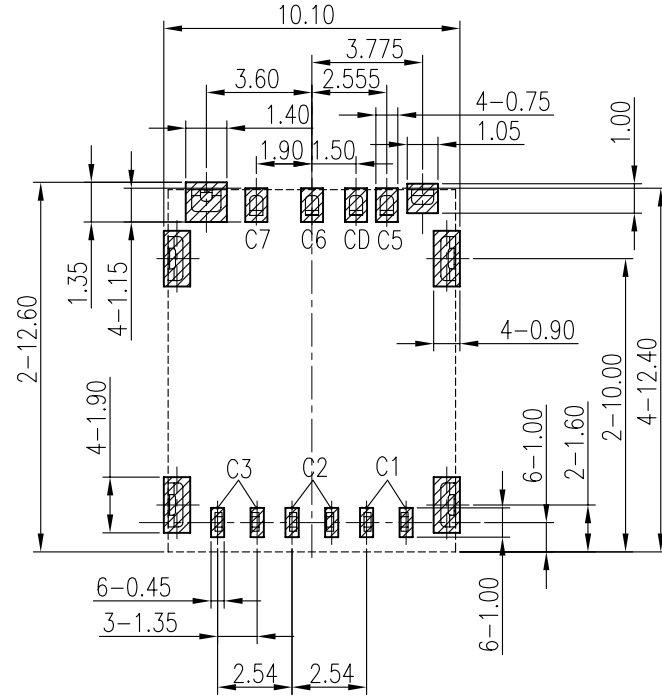
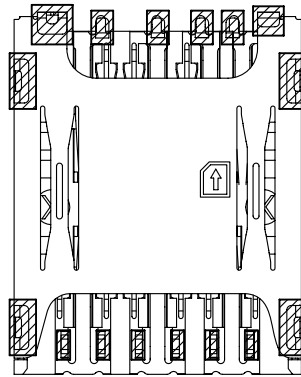
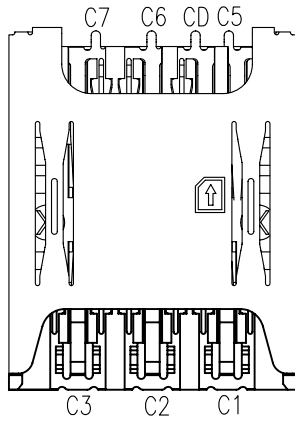
MEASURE POINT:
 QUADRANT POINT (QP)
 TANGENCY POINT (TP)
 INTERSECTION POINT (IP)

UNLESS OTHERWISE SPECIFIED, TOLERANCE:
 X. ±0.25
 X.x ±0.20
 X.xx ±0.15
 ANGULAR ±3°

JITS JITS TECHNOLOGY CO., LIMITED

DESING	FEI	DATE	2016.01.28	TITLE: NANO SIM(7PIN) CONNECTOR H=1.40
CHECKED	Nick.F.H	DATE	2016.01.28	
APPROVED	HaiYong.Luo	DATE	2016.01.28	
PART NO: 1SC14000141		REV: B	SCALE: 1:1	UNIT: mm
DRAWING NO: C-1SC14000141		SIZE: A4	SHEET: 1/3	

RoHS



RECOMMENDED PCB LAYOUT TOP VIEW (TOLERANCE:±0.05)
RECOMMENDED MATAL MASK T=0.12MM

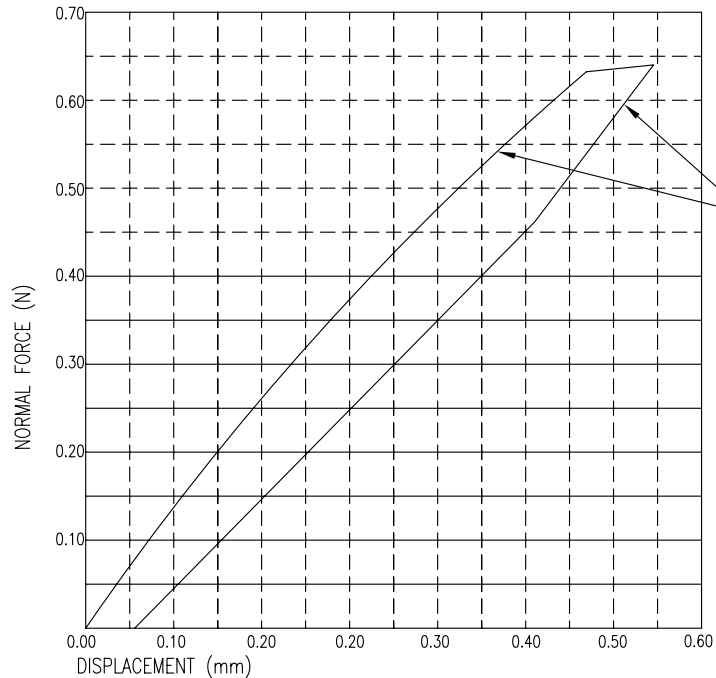
▨ SMT SOLDER AREA.
- - - CONNECTOR AREA

SW Circuit Description for Connector:

CARD INSERTION STATE	DETECT AWITCH CIRCUIT STATE	SCHEMATIC
UNMATED	OPENED	DETECT PIN [CD] —●— [C5]
MATED	CLOSED	DETECT PIN [CD] —●— [C5]

受控文件
2017.11.15
文控中心

NORMAL FORCE CHART FOR CONTACT TERMINAL:



CURVE FOR NORMAL FORCE

MEASURE POINT: (QP)
QUADRANT POINT (TP)
TANGENCY POINT (IP)

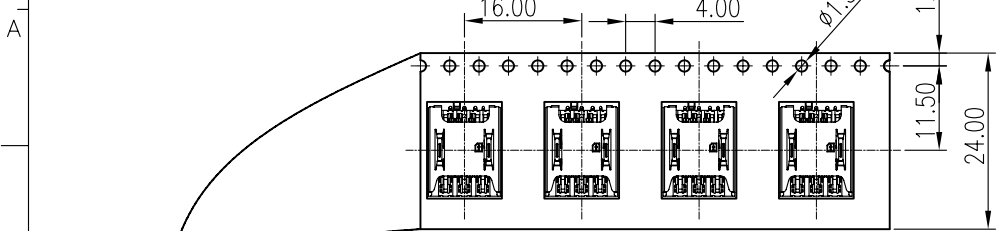
UNLESS OTHERWISE SPECIFIED, TOLERANCE:
X. ±0.25
X.x ±0.20
X.xx ±0.15
ANGULAR ±3°

JITS JITS TECHNOLOGY CO., LIMITED

DESING	FEI	DATE	2016.01.28	TITLE:	NANO SIM(7PIN) CONNECTOR H=1.40		
CHECKED	Nick.F.H	DATE	2016.01.28				
APPROVED	HaiYong.Luo	DATE	2016.01.28				
PART NO: 1SC14000141			REV: B	SCALE: 1:1	UNIT: mm		
DRAWING NO: C-1SC14000141			SIZE: A4	SHEET: 2/3			

RoHS

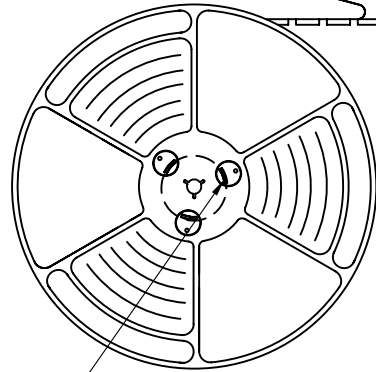
User Direction of Unreeling



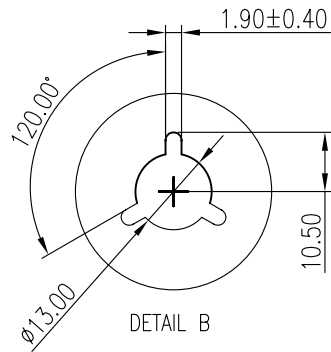
COVER TAPE PEELING ANGLE: 165°~180°
PEELING FORCE: 20~130g

CARRIER TAPE

User Direction of Unreeling



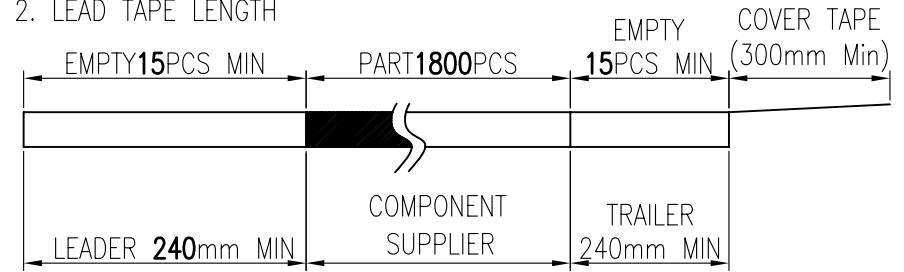
DETAIL B



受控文件
2017.11.15
文控中心

NOTES

1. NUMBER OF CONNECTORS: **1800PCS/REEL**
2. LEAD TAPE LENGTH

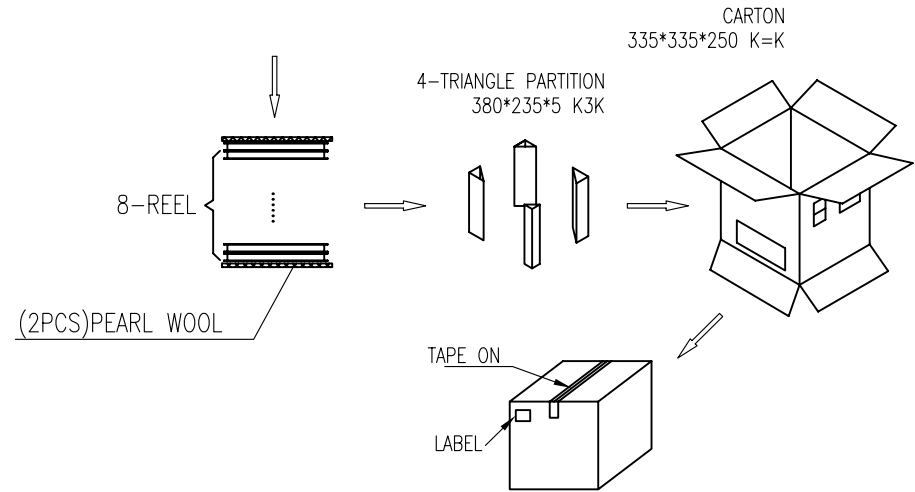


3. QUANTITY: **14400PCS/CARTON**

4. WEIGHT :

3.1 NET WEIGHT : **2.4Kg**

3.2 GROSS WEIGHT : **6.5Kg**



MEASURE POINT:
QUADRANT POINT (QP)
TANGENCY POINT (TP)
INTERSECTION POINT (IP)

UNLESS OTHERWISE SPECIFIED, TOLERANCE:
X. ±0.25
X.X ±0.20
X.XX ±0.15
ANGULAR ±3'

JTS JITS TECHNOLOGY CO., LIMITED

DESING	FEI	DATE	2016.01.28	TITLE: NANO SIM(7PIN) CONNECTOR H=1.40	
CHECKED	Nick.F.H	DATE	2016.01.28		
APPROVED	HaiYong.Luo	DATE	2016.01.28		
PART NO: 1SC14000141			REV: B	SCALE: 1:1	UNIT: mm
DRAWING NO: C-1SC14000141			SIZE: A4	SHEET: 3/3	